

Pneumatically Actuated Lug **Butterfly Valves** Valves

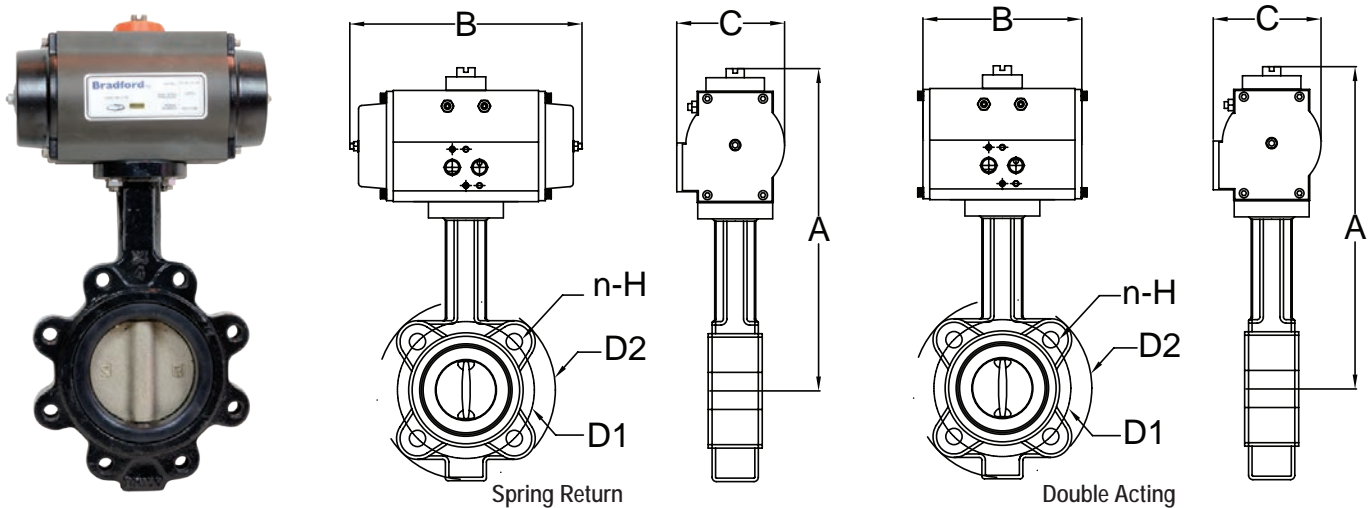
Features:

- cast iron body with extended neck
- nickel plated ductile iron disc
- seat backing ring ensures blowout proof service
- installs between standard ANSI Class 150# flanges
- conforms to MSS-SP-67, MSS-SP-25, API-609
- no taper pins
- field repairable (seat kits available)
- replaceable EPDM seat
- maximum operating pressure: **200 PSI** (bi-directional)
- temperature range: **-20°F to 250°F**
- a wide variety of seat, disc and body materials are available

Rack and Pinion Actuator

Features:

- bi-directional stops for $\pm 5^\circ$ travel adjustment
- **80 PSI** plant air required
- maximum operating pressure: **120 PSI**
- temperature range: **-40°F to +200°F**
- hard anodized aluminum body
- Namur mounting
- nickel plated anti-blowout pinion
- Buna-N O-rings
- visual position indication
- tested to 1 million cycles
- a wide variety of switches, solenoids, positioners, etc., are available, contact Dixon™ for details



All dimensions are given in inches, unless noted. Dimensions are approximate. Engineering dimensions are available upon request. Specifications are subject to change without notice.

Lug Spring Return

Size	A	B	C	D1	D2	n-H	Part #	Price/E
2"	9.80	8.09	3.74	.75	5.95	4-5/8-11 UNC	B5121E200LL-BBC	\$733.75
2½"	11.65	9.84	4.69	5.50	6.97	4-5/8-11 UNC	B5121E250LL-BBC	973.05
3"	11.89	9.84	4.69	6.00	7.56	4-5/8-11 UNC	B5121E300LL-BBC	1002.05
4"	12.63	9.84	4.69	7.50	8.35	8-5/8-11 UNC	B5121E400LL-BBC	1090.70
5"	13.94	13.98	5.53	8.50	9.53	8-5/8-11 UNC	B5121E500LL-BBC	1488.95
6"	14.45	13.98	5.53	9.50	11.02	8-5/8-11 UNC	B5121E600LL-BBC	1555.15
8"	17.17	16.60	7.29	11.75	13.19	8-5/8-11 UNC	B5121E800LL-BBC	2844.35
10"	19.21	19.17	8.06	14.25	15.94	12-7/8-9 UNC	B5121E1000LLBBC	3943.70
12"	22.87	25.28	9.37	17.00	19.09	12-7/8-9 UNC	B5121E1200LLBBC	6464.35

Lug Double Acting

Size	A	B	C	D1	D2	n-H	Part #	Price/E
2"	9.80	5.87	3.74	4.75	5.95	4-5/8-11 UNC	B5121E200LL-BCC	\$604.95
2½"	10.75	5.87	3.74	5.50	6.97	4-5/8-11 UNC	B5121E250LL-BCC	645.30
3"	10.99	5.87	3.74	6.00	7.56	4-5/8-11 UNC	B5121E300LL-BCC	674.25
4"	11.73	5.87	3.74	7.50	8.35	8-5/8-11 UNC	B5121E400LL-BCC	791.10
5"	13.15	7.20	4.69	8.50	9.53	8-5/8-11 UNC	B5121E500LL-BCC	1047.65
6"	13.66	7.20	4.69	9.50	11.02	8-5/8-11 UNC	B5121E600LL-BCC	1113.85
8"	15.79	10.22	5.53	11.75	13.19	8-5/8-11 UNC	B5121E800LL-BCC	1641.65
10"	17.05	10.22	5.53	14.25	15.94	12-7/8-9 UNC	B5121E1000LLBCC	2044.50
12"	20.20	11.98	7.29	17.00	19.09	12-7/8-9 UNC	B5121E1200LLBCC	3232.30