

## Pneumatically Actuated 3-Piece Stainless Ball Valves

### Features:

#### 3-Piece Stainless Ball Valve

- 15% glass reinforced RTFE seats
- blow-out proof stainless steel stem
- live-loaded stem packing
- ISO 5211 mounting pad
- swing out in-line easy maintenance
- pressure rating: ½" - 2" **1000 PSI** WOG  
3" **800 PSI** WOG
- temperature range: ½" to 2" **-40°F to 350°F**  
**3" to 4": -40°F to 325°F**

#### Rack and Pinion Actuator

- hard anodized aluminum body
- nickel plated anti-blowout pinion
- Buna-N O-rings
- NAMUR mounting
- bi-directional stops for  $\pm 5^\circ$  travel adjustment
- **80 PSI** plant air required
- visual position indication
- maximum operating pressure: **120 PSI**
- temperature range: **-40°F to 200°F**
- tested to one million cycles

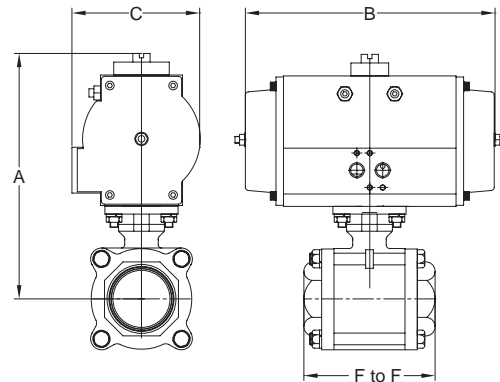


### Spring Return (normally closed)

Dimensions are approximate. Engineering dimensions are available upon request. Specifications are subject to change without notice.

Size	Dimensions				316 Stainless Steel	
	F to F	A	B	C	Part #	Price/E
½"	2.6	7.0	7.7	3.2	<b>BV2IG-05011-BBC</b> <sup>1</sup>	<b>\$587.30</b>
¾"	3.0	7.2	7.7	3.2	<b>BV2IG-07511-BBC</b> <sup>1</sup>	<b>592.60</b>
1"	3.4	6.1	7.7	3.2	<b>BV2IG-10011-BBC</b>	<b>628.50</b>
1¼"	4.0	6.3	7.7	3.2	<b>BV2IG-12511-BBC</b>	<b>686.35</b>
1½"	4.7	7.7	8.1	3.7	<b>BV2IG-15011-BBC</b>	<b>850.70</b>
2"	5.2	8.8	8.1	3.7	<b>BV2IG-20011-BBC</b>	<b>1156.75</b>
3"	7.2	10.2	9.8	4.7	<b>BV2IG-30011-BBC</b>	<b>2269.60</b>
4"	8.9	12.4	10.9	5.5	<b>BV2IG-40011-BBC</b>	<b>4259.25</b>

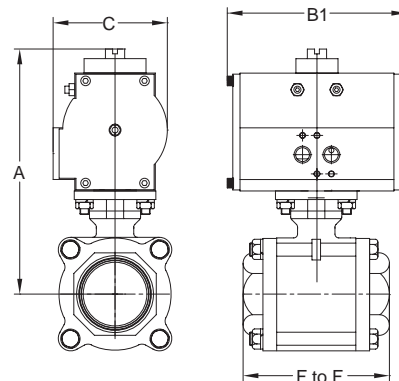
<sup>1</sup> bracket and coupler required for ½" and ¾" spring return actuator



### Double Acting

Dimensions are approximate. Engineering dimensions are available upon request. Specifications are subject to change without notice.

Size	Dimensions				316 Stainless Steel	
	F to F	A	B1	C	Part #	Price/E
½"	2.6	5.0	4.7	2.4	<b>BV2IG-05011-BCC</b>	<b>\$373.85</b>
¾"	3.0	5.2	4.7	2.4	<b>BV2IG-07511-BCC</b>	<b>401.00</b>
1"	3.4	6.1	5.7	3.2	<b>BV2IG-10011-BCC</b>	<b>529.65</b>
1¼"	4.0	6.3	5.7	3.2	<b>BV2IG-12511-BCC</b>	<b>587.45</b>
1½"	4.7	7.7	5.9	3.7	<b>BV2IG-15011-BCC</b>	<b>727.85</b>
2"	5.2	8.0	5.9	3.7	<b>BV2IG-20011-BCC</b>	<b>863.75</b>
3"	7.2	10.2	7.2	4.7	<b>BV2IG-30011-BCC</b>	<b>1838.85</b>
4"	8.9	13.8	16.3	7.2	<b>BV2IG-40011-BCC</b>	<b>3069.80</b>



A wide variety of switches, solenoids, positioners, etc., are available.  
Contact Dixon™ at 800.789.1718 or visit Dixon™valve.com for details.



#### Caution !

Even though there are torque safety factors built into our automated ball valve packages, actual service conditions must also be considered when selecting the proper product for the appropriate application.

For example: Severe service conditions such as dirty water, dirty air, all slurries, raw sewage water, oils, and other viscous fluids can have a dramatic affect in raising the torque requirements of ball valves as much as 75% and therefore larger actuators may be required. Please consult Dixon™ when dealing with these types of applications.

