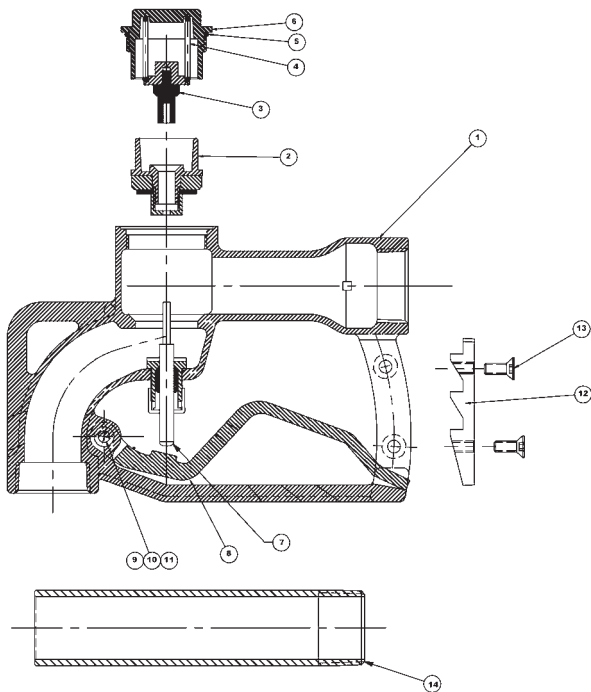


112D and 112DNS (1½") Bulk Delivery Nozzles



Bill of Materials

Item #	Description	Part #	Qty
1	body	---	1
2	main poppet assembly	use kit 112DSK	1
3	secondary poppet assembly	use kit 112DSK	1
4	poppet spring	SPRG-L368	1
5	Buna cap O-ring	O-RING#132	1
6	bronze cap	112DAL-9	1
7	valve stem assembly	use kit 112DSK	1
8	trigger	use kit 114/2D-TK	1
9	trigger bushing	114DAL-10	1
10	trigger pin	PIN-L389-SS	1
11	trigger cotter pin	110746	1
12	ratchet plate	340164	1
13	ratchet plate screws	110798	2
14	spout	1125A	1

Repair Kits

Part #	Description	Includes Item #
112DSK	main poppet, 2nd poppet, cap O-ring, valve stem	2, 3, 5, 7
1125A	1½" aluminum spout	14
1125B	1½" brass spout (optional)	---
114/2D-TK	trigger, pin, cotter pin, bushing	8, 9, 10, 11
114DAL-AV-19	blank plate to replace ratchet plate if ratchet not required (optional)	---

114D and 114DNS (1¼") Bulk Delivery Nozzles

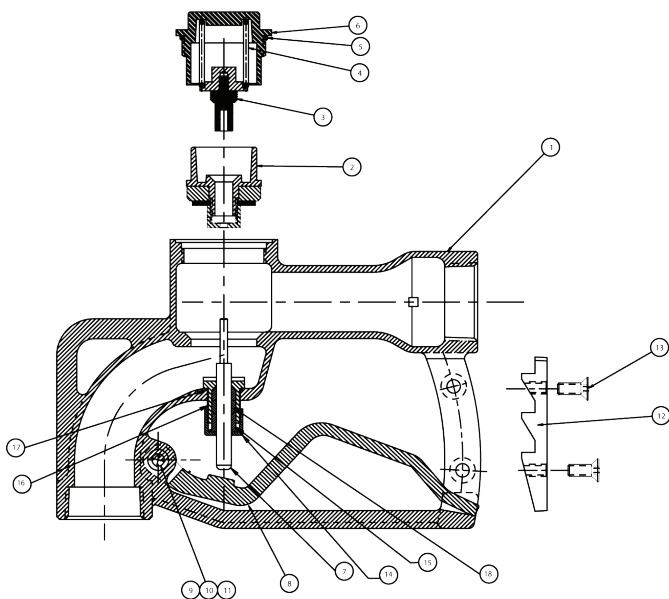
Bill of Materials

Item #	Description	Part #	Qty
1	body	---	1
2	main poppet assembly	use kit 114DSK	1
3	secondary poppet assembly	use kit 114DSK	1
4	poppet spring	SPRG-L368	1
5	Buna cap O-ring	O-RING-AS-129	1
6	bronze cap	114DAL-2	1
7	valve stem assembly	use kit 114DSK	1
8	trigger	use kit 114/2D-TK	1
9	trigger bushing	114DAL-10	1
10	trigger pin	PIN-L389-SS	1
11	trigger cotter pin	110746	1
12	ratchet plate	340164	1
13	ratchet plate screws	110798	2
14	aluminum spout	1143A	1
15	sleeve stem packing	SLVL358-1	1
16	valve stem guide & O-ring	use kit 114DSK	1
17	valve stem O-ring	O-RING-AS016	1
18	valve stem packing	STEMPACK-L360	2
19	valve stem nut	NUTL357-1	1

Repair Kits

Part #	Description	Includes Item #
114DSK	main and secondary poppets, cap O-ring, valve stem assembly and packing, sleeve stem packing and nut	2, 3, 5, 7, 15, 16, 17, 18, 19
114/2D-TK	replacement trigger, pin, bushing & cotter pin	8, 9, 10, 11
1143A	replacement aluminum spout	14
1143B	optional brass spout	replaces 14
114DAL-AV-19	optional blank plate to replace ratchet plate, if ratchet not desired	replaces 12

Petroleum Replacement Parts



Product instruction sheets and technical data can be viewed on our website at dixongroupcanada.com by selecting the 'Resources' menu.