

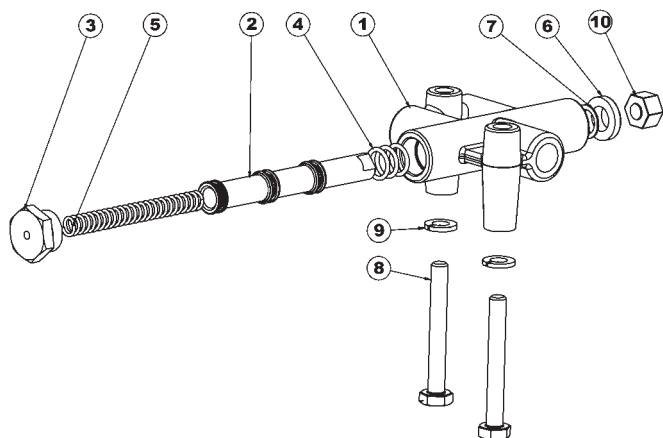
## TDF Series Tube Doors



### Repair Kits

Part #	Description
<b>TDF68RK</b>	6" and 8" repair kit, includes stainless steel spring, bushings and pin
<b>TDF7RK</b>	7" repair kit, includes stainless steel spring, bushings, pin and washer
<b>SPRG-A4630</b>	replacement stainless steel spring only

## 5000AIR Series Roller Ball End Air Interlock Valves



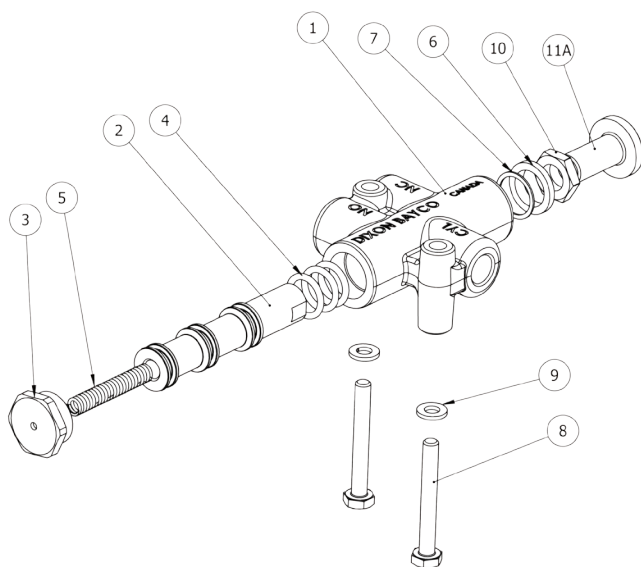
### Bill of Materials

Item #	Description	Part #	Qty
1	body	---	1
2	piston	use kit <b>5000AIRSK</b>	1
3	end plug	use kit <b>5000AIRSK</b>	1
4	Buna O-ring	use kit <b>5000AIRSK</b>	3
5	spring	use kit <b>5000AIRSK</b>	1
6	urethane wiper	use kit <b>5000AIRSK</b>	1
7	retaining ring	<b>110755</b>	1
8	mounting bolts	use kit <b>5000AIHK</b>	2
9	lock washer	use kit <b>5000AIHK</b>	2
10	roller ball assembly	<b>5000AIRRK1</b>	1

### Repair Kits

Part #	Description	Includes Item #
<b>5000AIHK</b>	replacement mounting bolts and lock washers	8, 9
<b>5000AIRSK</b>	replacement piston and seal kit	2, 3, 4, 5, 6
<b>5000AIRRK1</b>	replacement roller ball	10

## 5000AIHD Series Heavy Duty Air Interlock Valve



### Bill of Materials

Item #	Description	Part #	Qty
1	body	---	1
2	piston	use kit <b>5000AIHDSK</b>	1
3	end plug	use kit <b>5000AIHDSK</b>	1
4	O-ring	use kit <b>5000AIHDSK</b>	3
5	spring	use kit <b>5000AIHDSK</b>	1
6	wiper	use kit <b>5000AIHDSK</b>	1
7	retaining ring	<b>WH-77</b>	1
8	mounting bolts	use kit <b>5000AIHK</b>	2
9	lock washer	use kit <b>5000AIHK</b>	2
10	nut	<b>390909</b>	1
11A	1" plunger end	use kit <b>5000AIHDRK1</b>	
11B	1.5" plunger end	use kit <b>5000STHD</b>	

### Repair Kits

Part #	Description	Includes Item #
<b>5000AIHK</b>	mounting bolts and lock washers	8, 9
<b>5000AIHDSK</b>	replacement piston and seal kit	2, 3, 4, 5, 6
<b>5000AIHDRK1</b>	replacement 1" plunger assembly	10, 11A
<b>5000STHD</b>	replacement 1.5" plunger assembly	10, 11B

Petroleum  
Replacement Parts

Product instruction sheets and technical data can be viewed on our website at [dixongroupcanada.com](http://dixongroupcanada.com) by selecting the 'Resources' menu.