

# DIXON BAYCO DRY DISCONNECT PRODUCT CONFIGURATOR

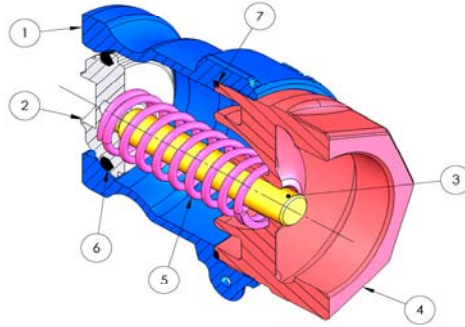
## ADAPTERS DBA SERIES

### DBAXY-### EXAMPLE DBA72-200

	DRAWING BALLOON NUMBERS				
	1	2	3	4	5
<b>X</b>	Adpt End	Poppet	Stem	Pipe End	Spring
1	Zinc/Alum	Alum	Brass	Alum	SST
6	Alum	Alum	SST	Alum	SST
7	SST	SST	SST	SST	SST

	DRAWING BALLOON NUMBERS	
	6	7
<b>Y</b>	Pop o-ring	Bod o-ring
1	Buna	Buna
2	Viton	Viton
3	PTFE/Sil	PTFE
4	EPDM	EPDM
6	Chemraz	PTFE
7	PTFE/Vit	PTFE
9	Viton-B	Viton-B

###	MOUNTING THREAD
150	1.5" NPT
200	2" NPT
300	3" NPT



## COUPLERS DBC SERIES

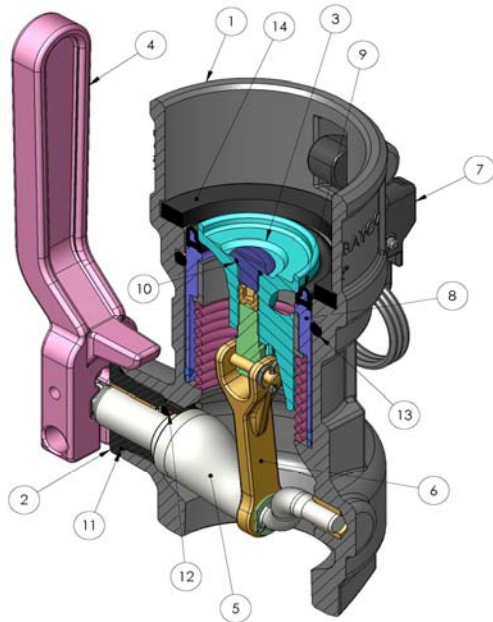
### DBCXY-### EXAMPLE DBC72-200

	DRAWING BALLOON NUMBERS								
	1	2	3	4	5	6	7	8	
<b>X</b>	Body	S. Box	Poppet	Handle	Crank	Link	Cam Arm	Cylinder	
6	Alum	SST	SST	SST	SST	SST	SST	Alum	
7	SST	SST	SST	SST	SST	SST	SST	SST	

	DRAWING BALLOON NUMBERS					
	9	10	11	12	13	14
<b>Y</b>	Nose Seal	Scr o-ring	S.box seal	Cr Seal	Cyl Seal	Gasket
1	Buna	PTFE	PTFE	Buna	Buna	Buna
2	Viton	PTFE	PTFE	Viton	Viton	Viton
3	PTFE	PTFE	PTFE	Chemraz	PTFE/Sil	PTFE/Sil
4	EPDM	PTFE	PTFE	EPDM	EPDM	EPDM
6	PTFE	PTFE	PTFE	Chemraz	Chemraz	PTFE/Vit
7	PTFE	PTFE	PTFE	Chemraz	PTFE/Vit	PTFE/Vit
9	Viton-B	PTFE	PTFE	Viton-B	Viton-B	Viton-B

###	MOUNTING THREAD
150	1.5" NPT
200	2" NPT
300	3" NPT

All metallic parts not listed are SST  
All non-metallic parts not listed are PTFE



## COUPLERS D2C SERIES

### D2CXY-### EXAMPLE D2C72-200

	DRAWING BALLOON NUMBERS				
	1	2	3	4	5
<b>X</b>	Body	Bearing	Poppet	Handle	Cam Arm
6	Alum	Acetal	SST	SST	SST
7	SST	PTFE/FG	SST	SST	SST

	DRAWING BALLOON NUMBERS		
	6	7	8
<b>Y</b>	Sft o-ring	Pop o-ring	Gasket
1	Buna	PTFE/Vit	Buna
2	Viton	PTFE/Vit	Viton
3	Chemraz	PTFE/Vit	PTFE/Sil
4	EPDM	PTFE/Vit	EPDM
6	Chemraz	PTFE/Vit	PTFE/Vit
7	Chemraz	PTFE/Vit	PTFE/Vit
9	Viton-B	PTFE/Vit	Viton-B

###	MOUNTING THREAD
150	1.5" NPT
200	2" NPT

All metallic parts not listed are SST

