

**R07 General purpose**

**Snap action knob locks pressure setting when pushed in**

**Standard relieving models allow reduction of outlet pressure even when the system is dead-ended**

**R46 Non-repairable**

**Wrench flats for easy installation**

**Relieving piston design allows reduction of downstream pressure when the system is dead-ended**

**Choice of left to right or right to left flow**


**R07**

**R46**
**Technical data**
**R07**
**Fluid:**

Compressed air, neutral gases

NOTE: Contact technical support for use with other media.

**Maximum pressure**

300 psig (20 bar)

**Operating temperature:**

-34° to 150°F (-35° to 65°C) \*

\* Air supply must be dry enough to avoid ice formation at temperatures below 2°C (35°F).

**R46**
**Fluid:**

Compressed air

**Maximum pressure:**

250 psig (17 bar)

**Operating temperature\*:**

-30° to 150°F (-34° to 65°C)

\* Air supply must be dry enough to avoid ice formation at temperatures below 35°F (2°C).

**Materials**
**R07**

Body: zinc

Bonnet: acetal

Knob: Acetal

Valve seat: acetal

Elastomers: nitrile

Valve: brass, nitrile

**R46**

Body: zinc

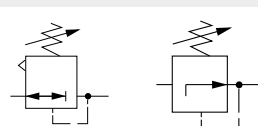
Knob: nylon

Valve: TPV

Valve seat: acetal

Elastomers: nitrile

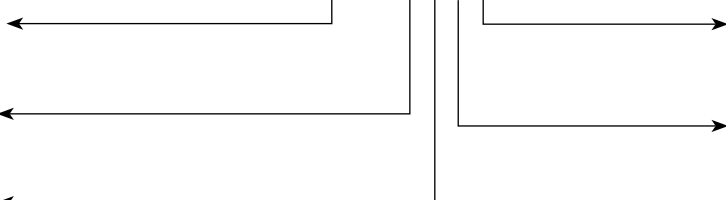
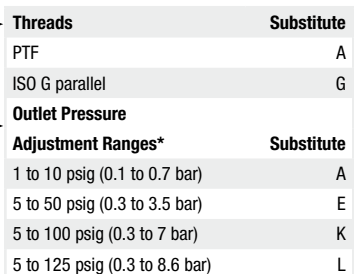
**Ordering information**

ISO Symbols	Port Size	Model	Flow† scfm (dm <sup>3</sup> /s)	Weight lb (kg)
 Relieving      Non relieving	1/8"	R07-100-RGKA	14 (6.5)	0.31 (0.19)
	1/4"	R07-200-RGKA	15 (7)	0.31 (0.19)
	1/4"	R46-200-RNLA (left to right flow)	13 (6)	0.2 (0.09)
	1/4"	R46-202-RNLA (right to right flow)	13 (6)	0.2 (0.09)

\* Air supply must be dry enough to avoid ice formation at temperatures below 35°F (2°C)

† Typical flow with 150 psig (10 bar) inlet pressure, 90 psig (6.3 bar) set pressure and 15 psig (1 bar) droop from set.

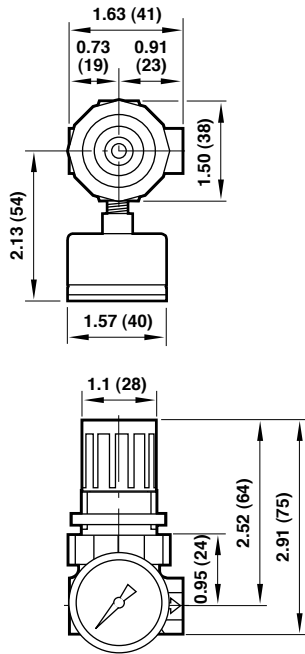
**Alternative Models**

Port Size	Substitute	R07-★00-★ ★ ★ ★		Threads	Substitute
1/8"	1			PTF	A
1/4"	2			ISO G parallel	G
<b>Diaphragm</b>	<b>Substitute</b>			<b>Outlet Pressure</b>	
Relieving	R			<b>Adjustment Ranges*</b>	<b>Substitute</b>
Non relieving	N	1 to 10 psig (0.1 to 0.7 bar)	A		
<b>Gauges</b>	<b>Substitute</b>	5 to 50 psig (0.3 to 3.5 bar)	E		
With	G	5 to 100 psig (0.3 to 7 bar)	K		
Without	N	5 to 125 psig (0.3 to 8.6 bar)	L		

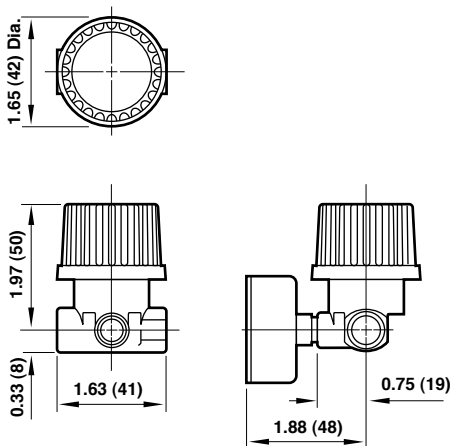
\* Outlet pressure can be adjusted to pressures in excess of, and less than, those specified. Do not use these units to control pressures outside of the specified ranges.

Panel mounting hole diameter 1.19" (30 mm)  
Maximum panel thickness 0.25" (6 mm)

**R07**

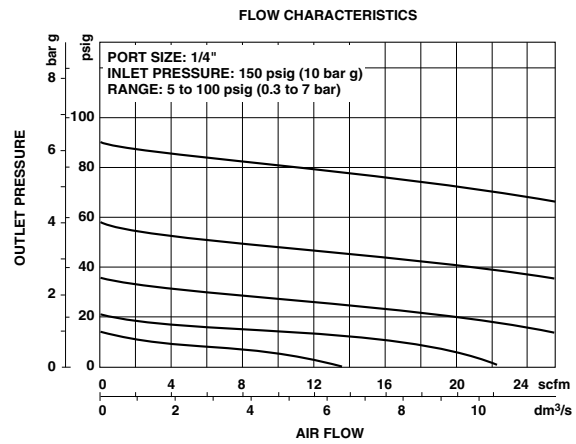


**R46**



**Typical Performance Characteristics**

**R07**



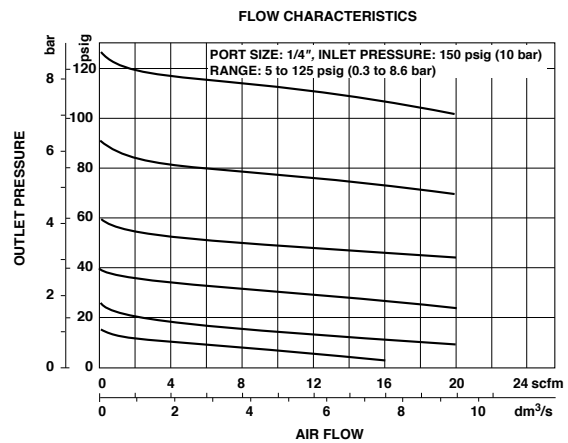
**R07 Service Kits**

Item	Type	Part number
Service kit	Relieving	3407-02
	Non relieving	3407-01

Service kit includes slip ring, diaphragm, standard valve seat with o-ring, valve, valve spring.

**Typical Performance Characteristics**

**R46**



Dimensions in inches (mm)