



# Technical Information

## Pump

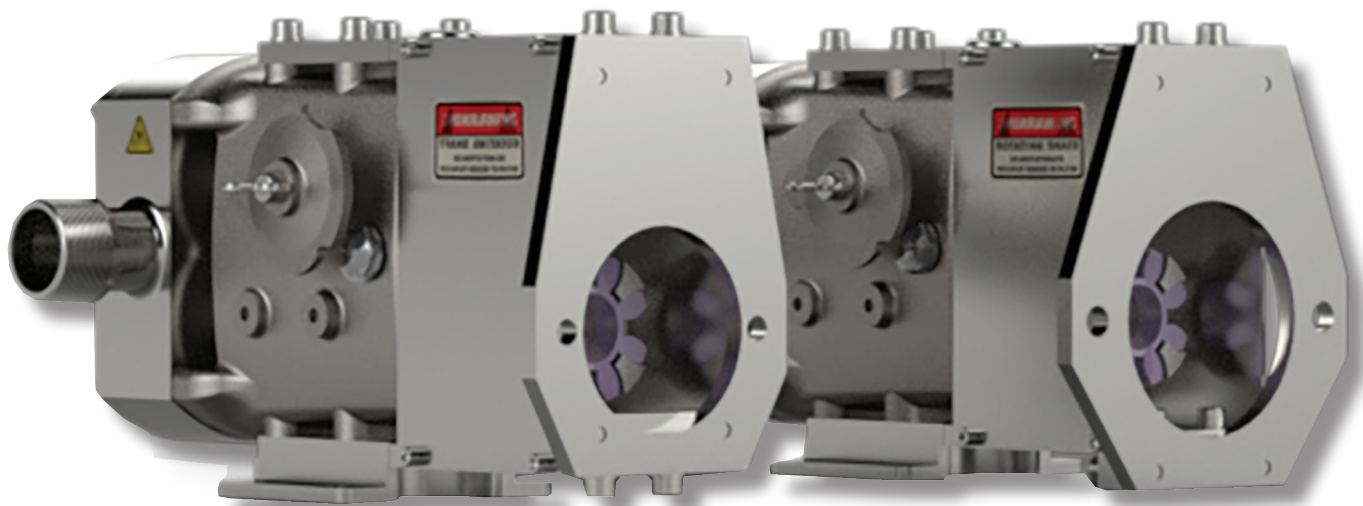
Seal type.....Single mechanical  
Rotor style .....Bi-wing

## Specifications

Maximum differential pressure ..... 174 PSI  
Temperature range ..... 14°F to 247°F  
Port size..... 1.5" NPT  
JRZL115-FRAC2- A .....SAE A  
JRZL115-FRAC2- B..... SAE B

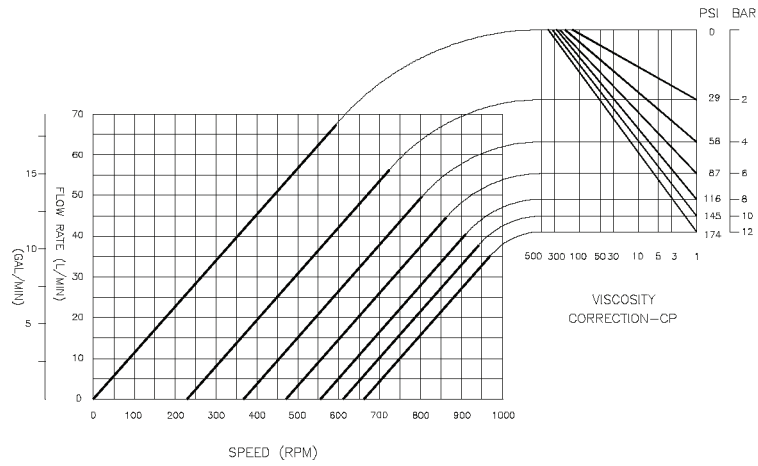
## Materials

Product contact steel parts.....AISI 316L stainless  
Product contact seals ..... FKM  
Seal rings..... Tungsten Carbide

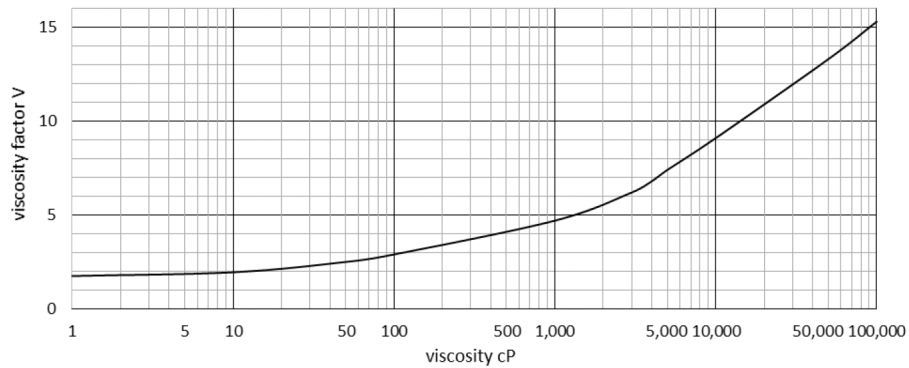


# Frac Pump JRZL Series Curve

Applies to Bi-wing



## Power Calculation for Viscosity Liquids



$$\text{(English units) Total Power (HP)} = (0.0007 \times p + 0.0051 \times v) \times n \times c$$

$$\text{(Metric units) Total Power (Kw)} = \frac{(2 \times p + v) \times n \times c}{1000}$$

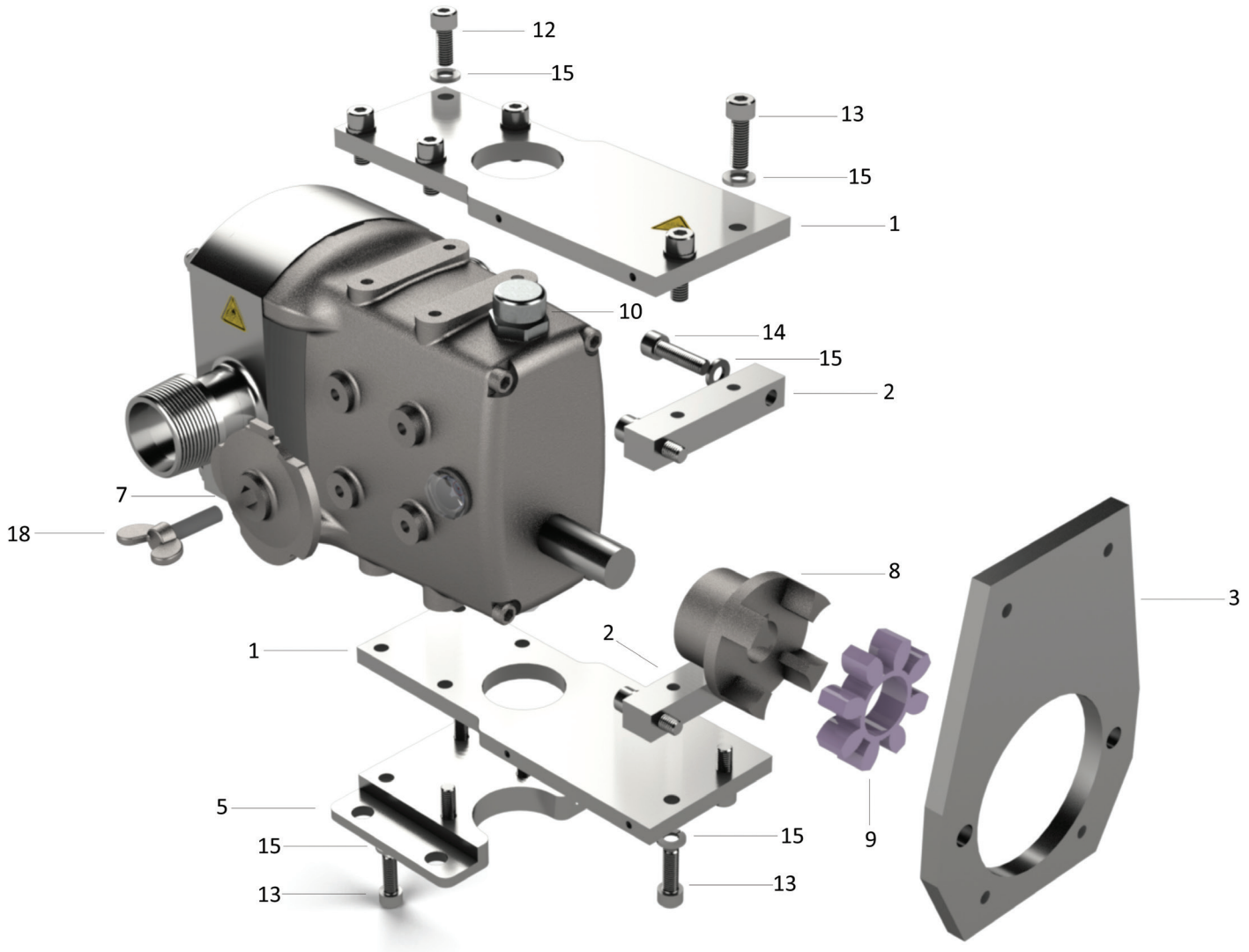
$p$  = pressure (psi or bar)

$v$  = viscosity correction factor (from graph)

$n$  = speed (RPM)

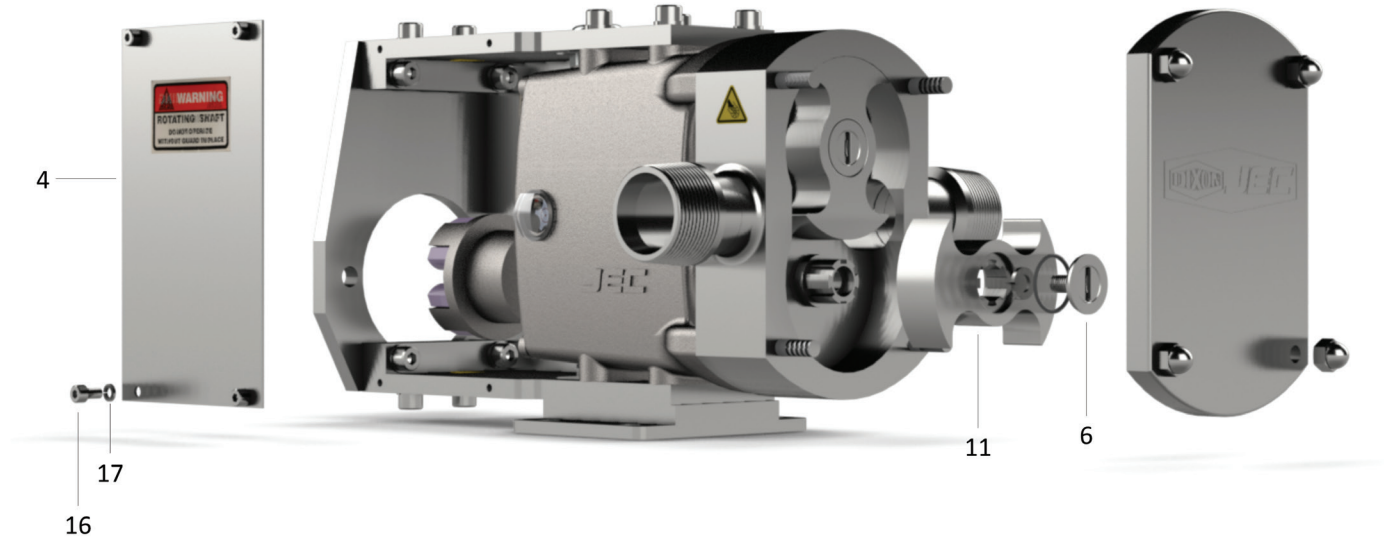
$c$  = displacement (0.03 gal/rev or 0.12 L/rev)

## Bill of Materials



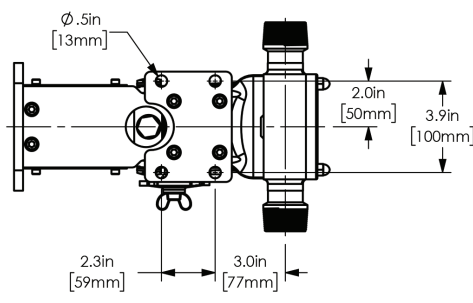
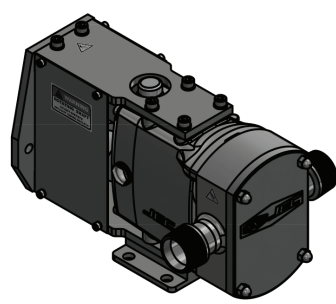
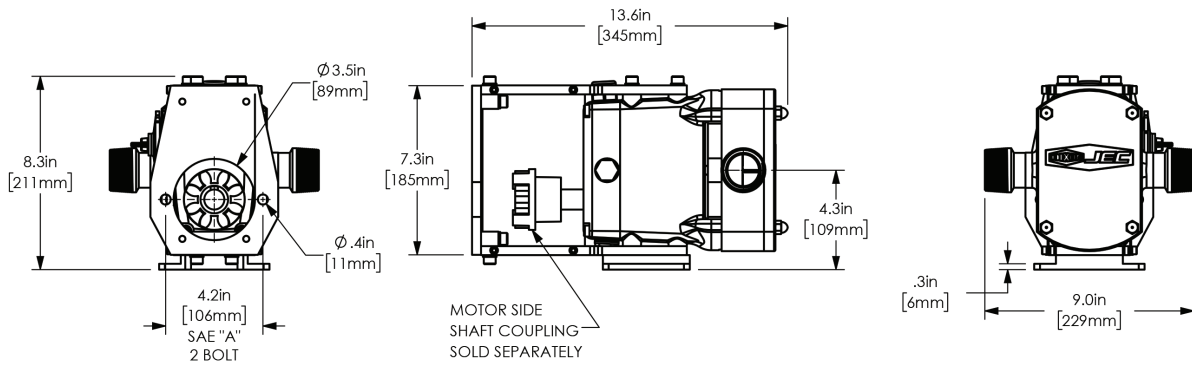
Item	Part Number	Description	Qty
1	<b>RZL-115B-HMA01</b>	115 HMA TOP AND BOTTOM PLATE	2
2	<b>RZL-115B-HMA02</b>	115 HMA MOUNTING BAR	2
3	<b>RZL-115B-HMA03</b>	115 HMA MOTOR PLATE SAE A	1
	<b>RZL-115B-HMA03B</b>	115 HMA MOTOR PLATE SAE B	1
5	<b>RZL-115B-HMA06</b>	115 HMA FOOT PLATE	1
7	<b>RZL-TOOL-F</b>	FRAC ROTOR TOOL	1
8	<b>RKTRH-C1</b>	ROTEX COUPLING HUB 22MM	1
9	<b>RKTRI-C2</b>	FLEXIBLE COUPLING INSERT	1
10	<b>RZL-GSBP-050</b>	1/2" BSP STEEL BREATHER	1
12	<b>SHCSM820</b>	M8-1.25 X 20 SOCKET CAP SCREW	4
13	<b>SHCSM825</b>	M8-1.25 X 25 SOCKET CAP SCREW	8
14	<b>SHCSM830</b>	M8-1.25 X 30 SOCKET CAP SCREW	4
15	<b>M8LW</b>	M8 LOCK WASHER	16
18	<b>M8WS</b>	M8-1.25 X 25 WING SCREW	1

## Bill of Materials



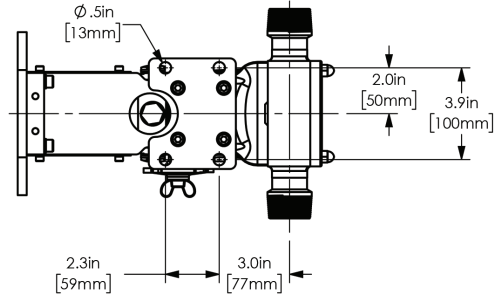
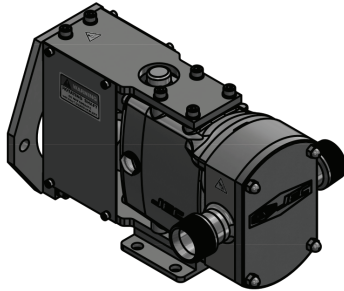
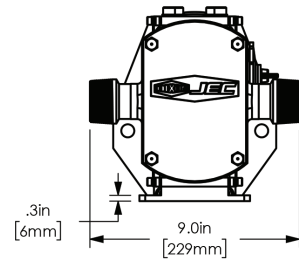
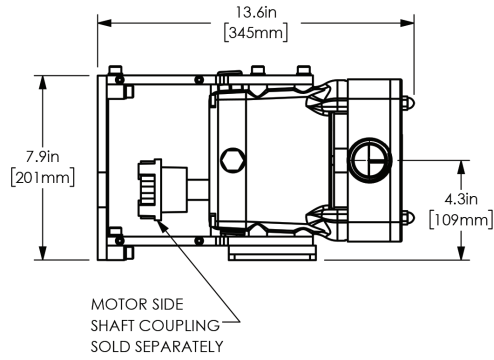
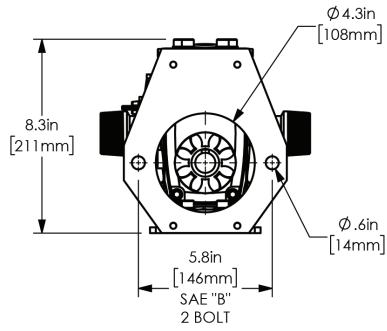
Item	Part Number	Description	Qty
4	<b>RZL-115B-HMA04</b>	115 HMA GUARD PLATE	2
6	<b>RZL-115B-RBW-F</b>	115 FRAC ROTOR BOLT AND WASHER	2
11	<b>RZL-BWA-115</b>	BI-WING ROTOR 115	2
16	<b>SHCSM510</b>	M5-0.8 X 10 SOCKET CAP SCREW	8
17	<b>M5LW</b>	M5 LOCK WASHER	8

# JRZL115-FRAC2-A Drawing



<p><b>PROPRIETARY AND CONFIDENTIAL</b></p> <p>This drawing is owned by Dixon Valve &amp; Coupling Co. and shall be returned upon demand. It is loaned on condition that it shall not be copied or reproduced or submitted to others without the owners consent. In accepting it subject to this condition the recipient further agrees that this drawing or any design detail or concept disclosed herein shall not be used in any way detrimental to or in competition with the owner. If the recipient does not agree to the terms of this agreement they shall return this drawing immediately. The information contained in this drawing is subject to change without notice.</p>	<p><b>DIXON U.S.A.</b> THE RIGHT CONNECTION™</p>
<p><b>DO NOT SCALE THIS DRAWING</b></p>	<p>DESCRIPTION: 1.5" NPT TC/TC FKM BW RTR BTM SHFT MOTOR ADPT KIT, SAE A</p> <p>MATERIAL(S):</p> <p>PART NUMBER: <b>JRZL115-FRAC2-A</b></p>

# JRZL115-FRAC2-B Drawing



<p><b>PROPRIETARY AND CONFIDENTIAL</b></p> <p>This drawing is owned by Dixon Valve &amp; Coupling Co. and shall be returned upon demand. It is loaned on condition that it shall not be copied or reproduced or submitted to others without the owners consent. In accepting it subject to this condition the recipient further agrees that this drawing or any design detail or concept disclosed herein shall not be used in any way detrimental to or in competition with the owner. If the recipient does not agree to the terms of this agreement they shall return this drawing immediately. The information contained in this drawing is subject to change without notice.</p>	<p><b>DIXON U.S.A.</b>                  THE RIGHT CONNECTION™</p>
	<p>DESCRIPTION:                  1.5" NPT TC/TC FKM BW RTR BTM SHFT MOTOR ADPT KIT, SAE B</p>
<p>DO NOT SCALE THIS DRAWING</p>	<p>MATERIAL(S):</p>
	<p>PART NUMBER:  <b>JRZL115-FRAC2-B</b></p>



Dixon®, founded in 1916, is a premier manufacturer and supplier of hose couplings, valves, dry-disconnects, swivels, and other fluid transfer and control products. The company's global reach includes a wide range of products for numerous industries including petroleum exploration, refining, transportation, chemical processing, food & beverage, steel, fire protection, construction, mining and manufacturing. Dixon®'s strategic objective is to create solutions that make products safer, leak-free, longer lasting, and always available.

**dixonvalve.com • Customer Service: 800.789.1718**



*The Right Connection®*

### **Dixon Sanitary**

N25 W23040 Paul Road  
Pewaukee, WI 53072  
Ph: 800.789.1718  
Fx: 800.789.4046  
**dixonvalve.com**

