

July 26, 2024

Attention: Ulise Conejo
DIXON VALVE AND COUPLING COMPANY
6523 HOMESTEAD ROAD
HOUSTON, TX 77028

The design submission, Tracking Number 2024-04032, Web Portal Number 2024-S2754, originally received on July 05, 2024 was surveyed and accepted for registration as follows:

CRN : 0C23574.52 **Accepted on:** July 26, 2024
Reg Type: NEW DESIGN **Expiry Date:** November 02, 2031
Drawing No. : Dixon Catalogs for F8, G8, GY, H8, J, L, & W8 Series Rev 2021
Fitting type: Gate and Globe Valves

The registration is conditional on your compliance with the following notes:

As indicated on AB-41 Statutory Declaration or AB-351 Declaration of Conformity form and submitted documentation, the code of construction is B16.34.

- It is our understanding that the fitting(s), included as the scope of this submission, that is(are) subject to the Safety Codes Act shall comply with the requirements of the indicated Standard or Code of Construction on the AB-41 Statutory Declaration or AB-351 Declaration of Conformity as supported by the attached data which identifies the dimensions, materials of construction, press./temp. ratings and the basis for such ratings, and the identification marking of the fittings.*
- This registration is valid only for fittings fabricated at the location(s) covered by the QC certificate attached to the accepted AB-41 Statutory Declaration or AB-351 Declaration of Conformity form.*
- This registration is valid only until the indicated expiry date and only if the Manufacturer maintains a valid quality management system approved by an acceptable third-party agency, and maintains a valid Certification of Authorization Permit if required by the jurisdiction where manufacturing takes place, until that date.*
- Should the approval of the quality management system lapse before the expiry date indicated above, this registration shall become void.*

An invoice covering survey and registration fees will be forwarded from our Revenue Accounts.

If you have any question don't hesitate to contact me by phone at (403) 291-7070 ext 2239 or fax (403) 291-4545 or e-mail LakeA@absa.ca.

Sincerely,



LAKE, ANITA, P. Eng.
DOP Cert. No. D00010563

STATUTORY DECLARATION
Registration of Fittings
Single or Multiple Fitting Designs within one Fitting Category

I, ULISES CONEJO, ENGINEERING SUPERVISOR
(name of applicant) (position title) (must be in a position of authority)
of DIXON VALVE AND COUPLING COMPANY
(name of manufacturer)
located at 6523 HOMESTEAD RD, HOUSTON TEXAS 77028 USA
(plant address)



do solemnly declare that the fittings listed hereunder, which are subject to the Safety Codes Act (select only one)

- comply with the requirements of ASME B16.34:2020 which specifies the dimensions, materials of construction, pressure/temperature ratings and identification marking of the fittings, or
(title of recognized North American Standard)
- are not covered by the provisions of a recognized North American standard and are therefore manufactured to comply with _____ as supported by the attached data which identifies the dimensions, materials of construction, pressure/temperature ratings and the basis for such ratings, and the identification marking of the fittings.
(title of code of construction or other applicable document)

I further declare that the manufacture of these fittings is controlled by a quality control program which has been verified as described in the below Table as being suitable for the manufacturing of these fittings to the stated standard, regulation, code, guideline or other applicable document. The fittings covered by the declaration for which I seek registration are as provided in the Supplementary Sheet(s) attached.

Quality Program Verification and Manufacturing Sites

A copy of the Quality Certificate from each manufacturing site must be included

Item #	Product Description, Model or Series	Quality Program	Scope of Certification	Expiry Date	Verifying Organization	Location(s) Plant Name and address
1.	Specialty Valves	ISO 9001:2015	Design/ Manufacture of Specialty Valves	2026-07-13	DNV	Dixon Valve, 6523 Homestead Rd. Houston
2.						

In support of this application, the following information, calculations and/or test data are attached:

Valve List and Wall Thickness -RO and
Dixon Catalogs 2021

[Signature]
(Signature of the Declarer)

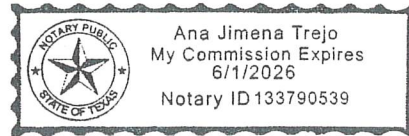
2024, 06, 28
(Date)

DECLARED before me at HOUSTON in the STATE of Texas
(city) (province, territory, or state)
this 28th day of JUNE, 2024
(Month) (Year)

(print) Ana J Trejo
(a Commissioner of Oaths or Notary Public)

(sign) [Signature]
(a Commissioner of Oaths or Notary Public)

01/1/2024
(expiry date (mm/dd/yy))



Commissioner of Oaths / Notary Public in and for: TX
(province, territory, or state)

For ABSA Office Use Only:

NOTES: _____

To the best of my knowledge and belief, the application meets the requirements of the Safety Codes Act and CSA Standard B51, Part 1, Clause 4.2, and is accepted for registration in Category _____.

CRN: _____

Registered Date: _____

Expiry Date: Nov. 2, 2031

Signature: _____
(Signature of the Administrator/SCO)

The information you provide is necessary only for the administration of the programs as required by the Alberta Safety Codes Act and Regulations in the Pressure Equipment Discipline

2024-04032
ABSA
SAFETY CODES ACT - PROVINCE OF ALBERTA
ACCEPTED: OC23574.52
See acceptance letter for conditions of registration.
Date: 2024-07-26 By: Anita Lake
ANITA LAKE, P. Eng
DOP: D00010563

This stamp and signature have been affixed electronically to this registered design as required by Section 20(1) of the Pressure Equipment Safety Regulation, in accordance with the Electronic Transactions Act.

Table 1 Scope of Fitting Designs**

Item #	Primary Pressure Bearing / Retaining Component	Material of Construction	Port Connections and Size Range	MDMT	Rated Pressure		Pressure Class(es) / Schedule(s)	Design Code(s) of Construction	Reference Catalogue (pages) or Drawing(s)
					At Ambient Temperature	At Maximum Temperature			
1	BODY	A105	1/2-2 INCHES	-20F	1975 PSI	255 PSI	CL 800	ASME B16.34	G/W/F/H
2	BODY	A182 F316L	1/2-2 INCHES	-20F	1600 PSI	900 PSI	CL 800	ASME B16.34	W/G
3	BODY	WCB	3-12 INCHES	-20F	285/740 PSI	20/50 PSI	CL 150/300	ASME B16.34	J & L

Table 2 Additional Scope Information

List/Attach Additional Detail and References (Product Configurations, Options, Illustrations, etc.)
Example: Valve List and Wall Thickness - R0 and Dixon Catalogs 2021
Series X Options

** For additional alternatives of Table 1, refer to Form AB-41a, Guide for Completing Form AB-41

Tracking #: _____



The Right Connection®

Forged Steel Globe Valves

1/2" - 2" Welded Bonnet

Globe Valves ANSI Class 150-800: our *bellows technology* keeps corrosive or harmful atmospheric conditions from entering the process.



This stamp and signature have been affixed electronically to this registered design as required by Section 20(1) of the Pressure Equipment Safety Regulation, in accordance with the Electronic Transactions Act

Expiry: 2031-11-02



interior cut-away

Application:

- Use in applications where leakage into or out of the valve is unacceptable such as heat transfer oil, toxic fluids, steam, and regulated media

Features:

- Stainless steel bellows (Inconel™ bellows available) provide long life and maximum corrosion resistance
- Zero stem leakage eliminates media loss and satisfies environmental regulations
- Zero maintenance results in lower operating costs; no downtime
- Reduces monitoring costs
- Three stem seals for safety: metallic bellows, graphite packing, backseat in open position
- Hardfaced Stellite® six seating surface provides long life: soft seat available
- Additional alloys, trims and other end configurations available

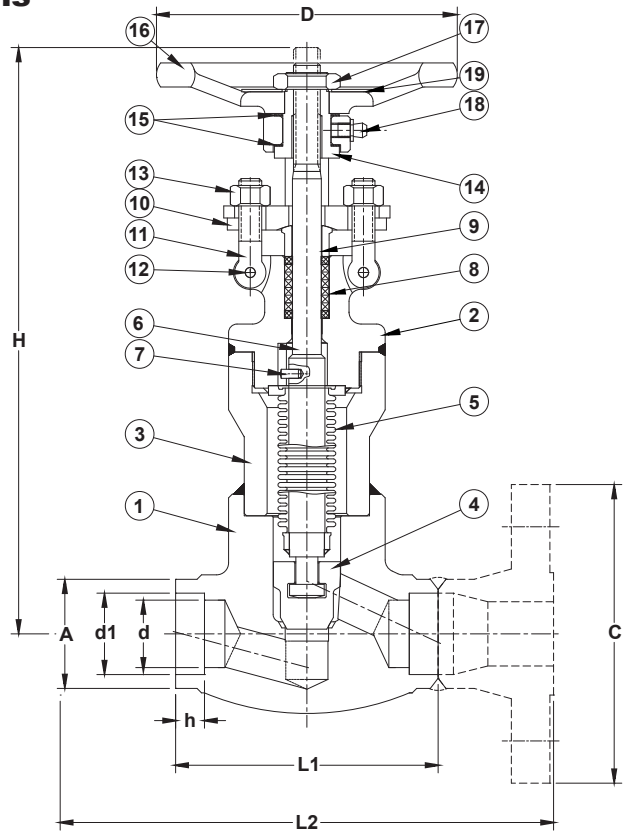
Specifications:

- Valve tested to ASME B16.34 / API 598
- Meets MSS SP-117
- 5 year bellows warranty

Materials

No.	Description	Carbon Steel (C22)
1	body	A105 ¹
2	bonnet	A105
3	extension	A105
4	disc	type 420 stainless
5	bellows assembly	type 321 stainless
6	stem	type 410 stainless
7	guide pin	carbon steel
8	gland packing	graphite
9	gland bushing	type 410 stainless
10	gland plate	carbon steel
11	gland bolt	type 410 stainless
12	pin	type 410 stainless
13	hex nut	carbon steel
14	yoke sleeve	type 410 stainless
15	thrust collar	type 410 stainless
16	handwheel	malleable iron
17	handle nut	carbon steel
18	grease fitting	copper alloy
19	name plate	aluminum

¹ Stellite™ overlay on seating area. Stellite™ is a registered trademark of Thermadyne



Operating Characteristics and Dimensions


Socket Weld / Threaded Globe Valves

Size	d	A	d1	h	L1	H	D	LIFT	Wt (lbs)	Cv
1/2"	0.63	1.34	0.855	0.39	3.11	8.7	3.94	0.26	6.5	2.7
3/4"	0.87	1.57	1.065	0.51	3.62	8.7	3.94	0.26	7.0	3.1
1"	1.10	1.93	1.330	0.51	4.37	9.6	4.92	0.26	10.4	5.4
1 1/2"	1.65	2.56	1.915	0.51	5.98	12.6	6.30	0.43	20.7	13.4
2"	2.05	3.07	2.406	0.63	6.77	13.6	7.09	0.49	29.4	23.0

Flanged Globe Valves

Size	150			300			600		
	L2	C	Wt (lbs)	L2	C	Wt (lbs)	L2	C	Wt (lbs)
1/2"	4.25	3.50	8.5	6.00	3.75	10.5	6.50	3.75	10.5
3/4"	4.62	3.88	10.0	7.00	4.62	14.0	7.50	4.62	15.0
1"	5.00	4.25	18.0	8.00	4.88	22.0	8.50	4.88	23.0
1 1/2"	6.50	5.00	22.0	9.00	6.12	30.0	9.50	6.12	31.0
2"	8.00	6.00	41.0	10.50	6.50	49.0	11.50	6.50	51.0

Warning & Safety

 Dixon Eagle valves are designed to work safely for their intended use. Failure to know and understand the intended use or to consider the size, temperature, application, media, pressure and manufacturers recommendations when selecting the proper valve assembly components can result in accidents and injuries, including death and serious and permanent injuries. Dixon® recommends that all valve assemblies be tested in accordance with ASME and API recommendations and be inspected regularly to ensure that their use remains appropriate and that they are not damaged.

At no charge, Dixon® is available to consult, train, and recommend the proper selection and application of all valves we sell. We strongly recommend that distributors and end users make use of Dixon's Testing and Recommendation Services. Contact Dixon® to learn more.

Dixon Eagle

ph 713.678.4291 • fx 713.678.8105

eaglesales@dixonvalve.com

dixonvalve.com

connect with us on



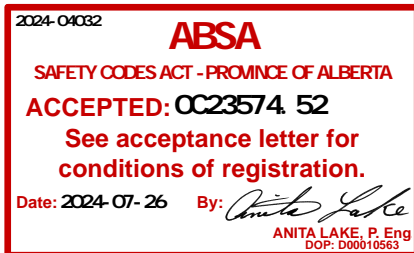


The Right Connection®

Forged Steel Globe Valves

1/2" - 2" Bolted Bonnet

Globe Valves ANSI Class 150-800: our *bellows technology* keeps corrosive or harmful atmospheric conditions from entering the process.



This stamp and signature have been affixed electronically to this registered design as required by Section 20(1) of the Pressure Equipment Safety Regulation, in accordance with the Electronic Transactions Act

Expiry: 2031-11-02



interior cut-away

Application:

- For use in applications where leakage into or out of the valve is unacceptable such as heat transfer oil, toxic fluids, steam, and regulated media.

Features:

- Inconel™ bellows provide longer life and maximum corrosion resistance
- Very compact, lower piping costs
- Zero stem leakage eliminates media loss and satisfies environmental regulations
- Zero maintenance results in lower operating costs; no downtime
- Reduce monitoring costs
- Three stem seals for safety: metallic bellows, graphite packing, backseat in open position
- Hardfaced Stellite® six seating surface provides long life
- Additional alloys, trims, and other end configurations available

Specifications:

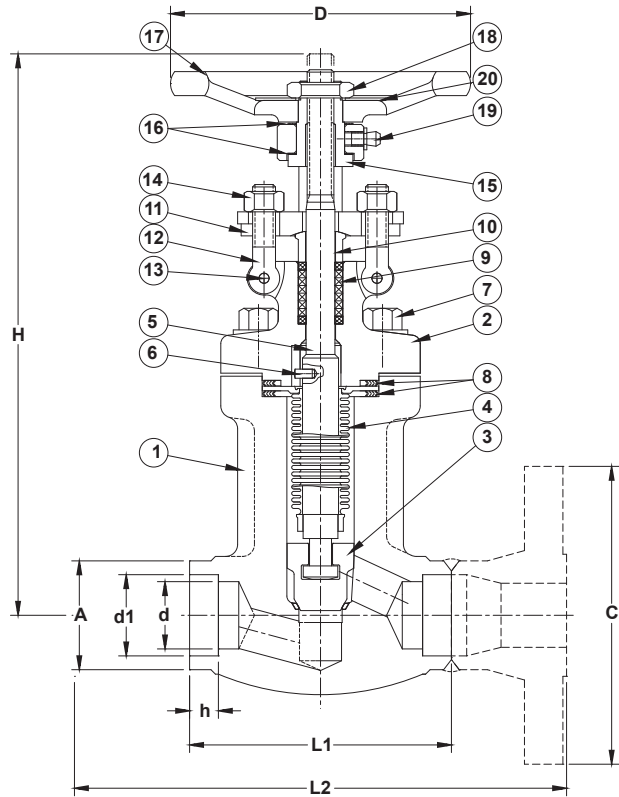
- Valve tested to ASME B16.34 / API 598
- Meets MSS SP-117
- 5 year bellows warranty

Materials

No.	Description	Carbon Steel (C22)	316L Steel (S44)
1	body	A105 ¹	A182 F316L ¹
2	bonnet	A105	A182 F316L
3	disc	type 420 stainless	type 316 stainless ¹
4	bellows assy.	Inconel™ 625 ²	Inconel™ 625 ²
5	stem	type 410 stainless	type 316 stainless
6	guide pin	carbon steel	carbon steel
7	joint bolt	A193 B7	A193 B8
8	gasket	graphite / 316 SS	graphite / 316 SS
9	gland packing	graphite	graphite
10	gland bushing	type 410 stainless	type 304 stainless
11	gland plate	carbon steel	type 316 stainless
12	gland bolt	type 410 stainless	type 304 stainless
13	pin	type 410 stainless	type 304 stainless
14	hex nut	carbon steel	type 304 stainless
15	yoke sleeve	type 410 stainless	copper alloy
16	thrust collar	type 410 stainless	type 410 stainless
17	handwheel	malleable iron	malleable iron
18	handle nut	carbon steel	type 304 stainless
19	grease fitting	copper alloy	copper alloy
20	name plate	aluminum	aluminum

¹ Stellite™ overlay on seating area. Stellite™ is a registered trademark of Thermadyne.

² Inconel™ is a trademark of Huntington Alloys, Inc.



Operating Characteristics and Dimensions

Socket Weld / Threaded Globe Valves

Size	d	A	d1	h	L1	H	D	LIFT	Wt (lbs)	Cv
½"	0.63	1.34	0.855	0.39	3.11	8.3	3.94	0.26	5.9	2.7
¾"	0.87	1.57	1.065	0.51	3.62	8.3	3.94	0.26	6.2	3.1
1"	1.10	1.93	1.330	0.51	4.37	9.2	4.92	0.26	11.0	5.4
1½"	1.65	2.56	1.915	0.51	5.98	11.9	6.30	0.43	21.0	13.4
2"	2.05	3.07	2.406	0.63	6.77	12.8	7.09	0.49	30.0	23.0

Flanged Globe Valves

Size	150			300			600		
	L2	C	Wt (lbs)	L2	C	Wt (lbs)	L2	C	Wt (lbs)
½"	4.25	3.50	8.0	6.00	3.75	10.0	6.50	3.75	10.0
¾"	4.62	3.88	9.0	7.00	4.62	13.0	7.50	4.62	14.0
1"	5.00	4.25	15.0	8.00	4.88	19.0	8.50	4.88	20.0
1½"	6.50	5.00	27.0	9.00	6.12	35.0	9.50	6.12	36.0
2"	8.00	6.00	41.0	10.50	6.50	49.0	11.50	6.50	51.0

Warning & Safety

! Dixon Eagle valves are designed to work safely for their intended use. Failure to know and understand the intended use or to consider the size, temperature, application, media, pressure and manufacturers recommendations when selecting the proper valve assembly components can result in accidents and injuries, including death and serious and permanent injuries. Dixon® recommends that all valve assemblies be tested in accordance with ASME and API recommendations and be inspected regularly to ensure that their use remains appropriate and that they are not damaged. At no charge, Dixon® is available to consult, train, and recommend the proper selection and application of all valves we sell. We strongly recommend that distributors and end users make use of Dixon's Testing and Recommendation Services. Contact Dixon® to learn more.

Dixon Eagle

ph 713.678.4291 • fx 877.693.4966
 eaglesales@dixonvalve.com
 dixonvalve.com

connect with us on





The Right Connection®

Forged Steel Globe Valves

1/2" - 2" Welded Bonnet

Globe Valves ANSI Class 800: our *bellows technology* keeps corrosive or harmful atmospheric conditions from entering the process.



This stamp and signature have been affixed electronically to this registered design as required by Section 20(1) of the Pressure Equipment Safety Regulation, in accordance with the Electronic Transactions Act

Expiry: 2031-11-02



interior cut-away

Application:

- For use in applications where leakage into or out of the valve is unacceptable such as heat transfer oil, toxic fluids, steam, and regulated media

Features:

- Stainless steel bellows provide longer life and maximum corrosion resistance
- Zero stem leakage eliminates media loss and satisfies environmental regulations
- Zero maintenance results in lower operating costs; no downtime
- Reduce monitoring costs
- Three stem seals for safety: metallic bellows, graphite packing, backseat in open position
- Hardfaced Stellite® six seating surface provides long life
- Additional alloys, trims, and other end configurations available

Specifications:

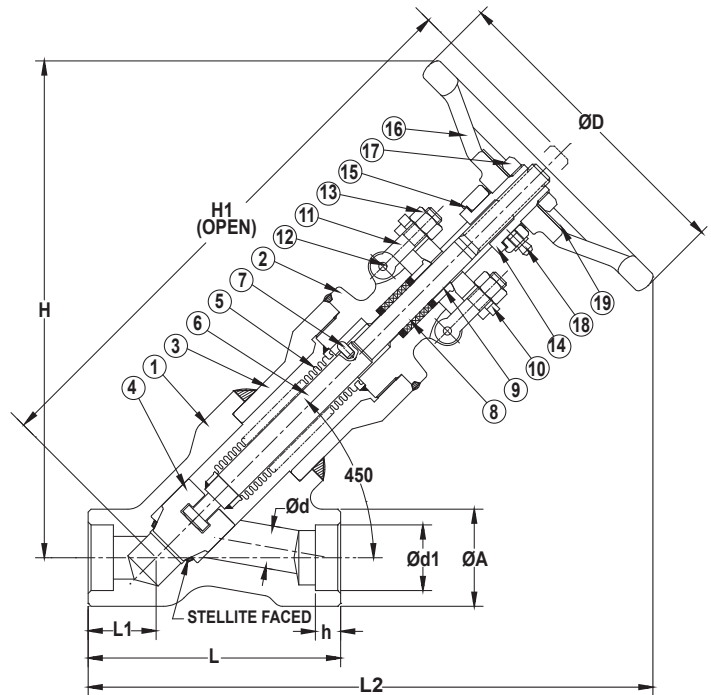
- Valve tested to ASME B16.34 / API 598
- Meets MSS SP-117
- 5 year bellows warranty

Materials

No.	Description	Carbon Steel (C22)
1	body	carbon steel A105 ¹
2	bonnet	carbon steel A105
3	extension	carbon steel A105
4	disc	type 420 stainless steel
5	bellows assembly	type 321 stainless steel
6	stem	type 410 stainless steel
7	guide pin	carbon steel
8	gland packing	graphite
9	gland bushing	type 410 stainless steel
10	gland plate	carbon steel
11	gland bolt	type 410 stainless steel
12	pin	type 410 stainless steel
13	hex nut	carbon steel
14	yoke sleeve	type 410 stainless steel
15	thrust collar	type 410 stainless steel
16	handwheel	malleable iron
17	handwheel nut	carbon steel
18	grease fitting	copper alloy
19	name plate	aluminum

¹ Stellite™ overlay on seating area. Stellite™ is a registered trademark of Thermadyne.

² Inconel™ is a trademark of Huntington Alloys, Inc.



Operating Characteristics and Dimensions

Socket Weld / Threaded Globe Valves

Size	d	A	d1	h	L	L1	L2	H	H1	D	LIFT	Wt (lbs)	Cv
½"	0.51	1.81	0.855	0.39	4.25	1.24	10.35	9.1	11.0	4.92	0.43	10	5
¾"	0.67	1.81	1.065	0.51	4.25	1.24	10.35	9.1	11.0	4.92	0.43	10	8
1"	0.87	1.97	1.330	0.51	5.12	1.38	11.42	10.1	11.6	6.30	0.52	13	13
1½"	1.38	2.68	1.915	0.51	6.30	1.54	15.70	14.1	17.1	7.09	0.72	24	37
2"	1.73	3.23	2.406	0.63	7.48	1.81	16.88	15.0	18.9	7.09	0.91	34	57

Warning & Safety



Dixon Eagle valves are designed to work safely for their intended use. Failure to know and understand the intended use or to consider the size, temperature, application, media, pressure and manufacturers recommendations when selecting the proper valve assembly components can result in accidents and injuries, including death and serious and permanent injuries. Dixon® recommends that all valve assemblies be tested in accordance with ASME and API recommendations and be inspected regularly to ensure that their use remains appropriate and that they are not damaged.

At no charge, Dixon® is available to consult, train, and recommend the proper selection and application of all valves we sell. We strongly recommend that distributors and end users make use of Dixon's Testing and Recommendation Services. Contact Dixon® to learn more.

connect with us on



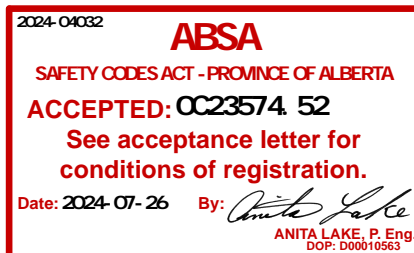


The Right Connection®

Forged Steel Gate Valves

1/2" - 2" Welded Bonnet

Gate Valves ANSI/API Class 150-800: our *bellows technology* keeps corrosive or harmful atmospheric conditions from entering the process.



This stamp and signature have been affixed electronically to this registered design as required by Section 20(1) of the Pressure Equipment Safety Regulation, in accordance with the Electronic Transactions Act.

Expiry: 2031-11-02



interior cut-away

Application:

- For use in applications where leakage into or out of the valve is unacceptable such as heat transfer oil, toxic fluids, steam, and regulated media.

Features:

- Stainless steel bellows (Inconel™ bellows available) provides longer life and maximum corrosion resistance
- Zero stem leakage eliminates media loss and satisfies environmental regulations
- Zero maintenance results in lower operating costs; no downtime
- Reduce monitoring costs
- Three stem seals for safety: metallic bellows, graphite packing, backseat in open position
- Hardfaced Stellite® six seating surface provides long life
- Additional alloys, trims, and other end configurations available

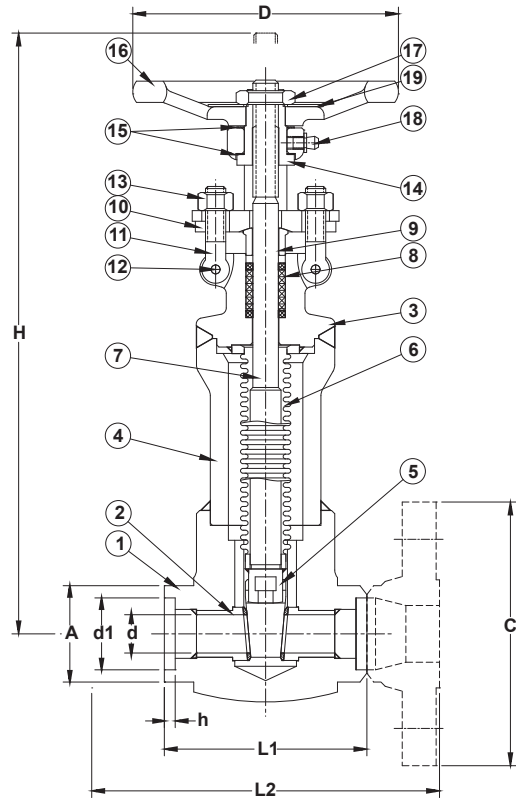
Specifications:

- Valve tested to ASME B16.34 / API 598
- Meets MSS SP-117
- 5 year bellows warranty

Materials

No.	Description	Carbon Steel (C22)
1	body	A105
2	seat ring	type 316 stainless ¹
3	bonnet	A105
4	extension	A105
5	gate	type 420 stainless
6	bellows assy.	type 321 stainless
7	stem	type 410 stainless
8	gland packing	graphite
9	gland bushing	type 410 stainless
10	gland plate	carbon steel
11	gland bolt	type 410 stainless
12	pin	type 410 stainless
13	hex nut	carbon steel
14	yoke sleeve	type 410 stainless
15	thrust collar	type 410 stainless
16	handwheel	malleable iron
17	handle nut	carbon steel
18	grease fitting	copper alloy
19	name plate	aluminum

¹ Stellite™ overlay on seating area. Stellite™ is a registered trademark of Thermadyne.



Operating Characteristics and Dimensions

Socket Weld / Threaded Gate Valves

Size	d	A	d1	h	L1	H	D	LIFT	Wt (lbs)	Cv
½"	0.39	1.34	0.855	0.39	3.11	9.8	3.94	0.51	6.4	7.1
¾"	0.54	1.57	1.065	0.51	3.62	10.9	3.94	0.67	7.2	15.0
1"	0.71	1.93	1.330	0.51	4.37	13.1	4.92	0.87	11.0	25.0
1½"	1.14	2.56	1.915	0.51	4.72	17.0	6.30	1.34	20.0	75.0
2"	1.45	3.07	2.406	0.63	5.51	20.3	7.09	1.69	30.0	120.0

Flanged Gate Valves

Size	150			300			600		
	L2	C	Wt (lbs)	L2	C	Wt (lbs)	L2	C	Wt (lbs)
½"	4.25	3.50	9.0	5.50	3.75	11	6.50	3.75	12
¾"	4.62	3.88	11.0	6.00	4.62	15	7.50	4.62	16
1"	5.00	4.25	15.0	6.50	4.88	19	8.50	4.88	21
1½"	6.50	5.00	26.0	7.50	6.12	34	9.50	6.12	36
2"	7.00	6.00	40.0	8.50	6.50	48	11.50	6.50	51

Warning & Safety

! Dixon Eagle valves are designed to work safely for their intended use. Failure to know and understand the intended use or to consider the size, temperature, application, media, pressure and manufacturers recommendations when selecting the proper valve assembly components can result in accidents and injuries, including death and serious and permanent injuries. Dixon® recommends that all valve assemblies be tested in accordance with ASME and API recommendations and be inspected regularly to ensure that their use remains appropriate and that they are not damaged.

At no charge, Dixon® is available to consult, train, and recommend the proper selection and application of all valves we sell. We strongly recommend that distributors and end users make use of Dixon's Testing and Recommendation Services. Contact Dixon® to learn more.

Dixon Eagle

ph 713.678.4291 • fx 877.693.4966

eaglesales@dixonvalve.com

dixonvalve.com

connect with us on



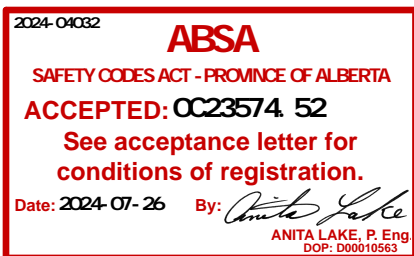


The Right Connection®

Cast Steel Globe Valves

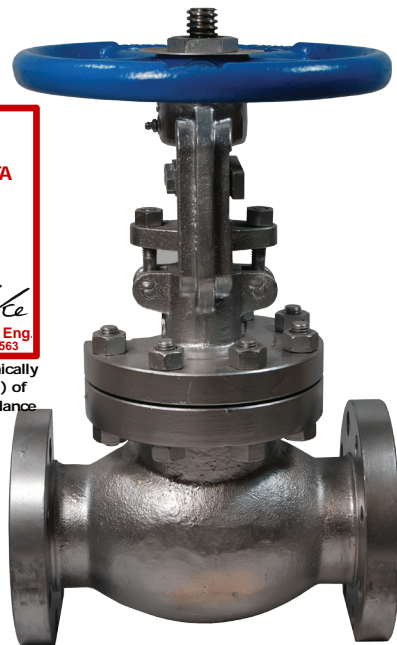
2½" - 16"

*Globe Valves ANSI Class 150-600: our **bellows technology** keeps corrosive or harmful atmospheric conditions from entering the process.*



This stamp and signature have been affixed electronically to this registered design as required by Section 20(1) of the Pressure Equipment Safety Regulation, in accordance with the Electronic Transactions Act.

Expiry: 2031-11-02



interior cut-away

Applications:

- For use in applications where leakage into or out of the valve is unacceptable such as heat transfer oil, toxic fluids, steam, and regulated media.

Features:

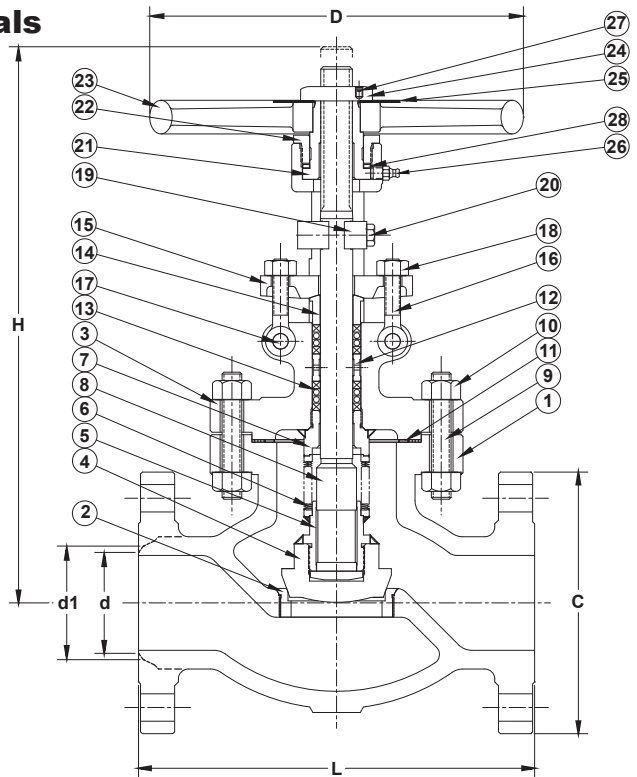
- Inconel™ bellows provide longer life and maximum corrosion resistance
- Very compact, lower piping costs
- Zero stem leakage eliminates media loss and satisfies environmental regulations
- Zero maintenance results in lower operating costs; no downtime
- Reduce monitoring costs
- Three stem seals for safety: metallic bellows, graphite packing, backseat in open position
- Hardfaced Stellite® 6 seating surface provides long life
- Additional alloys, trims, and other end configurations available
- Class 150 - Class 600 available
- Consult factory for stainless steel products in larger valves

Specifications:

- Valve tested to ASME B16.34 / API 598
- Meets MSS SP-117
- 5 year bellows warranty

Materials

No.	Description	Carbon Steel (C22)
1	body	A216 WCB
2	seat ring	A105 ¹
3	bonnet	A216 WCB
4	disc	A216 WCB + 13CR
5	disc nut	type 316 stainless
6	bellows assy.	Inconel™ 625 ²
7	bonnet bushing	type 316 stainless
8	stem	type 410 stainless
9	joint bolt	A193 B7
10	hex nut	A194 2H
11	gasket	graphite / 316 stainless
12	packing washer	type 410 stainless
13	gland packing	graphite
14	gland bushing	type 410 stainless
15	gland plate	A216 WCB
16	gland bolt	A193 B7
17	pin	carbon steel
18	hex nut	A194 2H
19	guide plate	carbon steel
20	hex bolt	carbon steel
21	sleeve	ductile iron
22	yoke cap	carbon steel
23	handwheel	malleable iron
24	handle nut	carbon steel
25	name plate	aluminum
26	grease fitting	copper alloy
27	set screw	alloy steel
28	thrust collar	copper alloy



¹ Stellite™ overlay on seating area. Stellite™ is a registered trademark of Thermadyne.
² Inconel™ is a trademark of Huntington Alloys, Inc.

Operating Characteristics and Dimensions

Flanged and Butt Weld End - ANSI 150

Size	d	d1	C	L	H	D	LIFT	Cv	Wt (lbs) FL	Wt (lbs) BW
2½"	2.469	2.96	7.00	8.50	15	10	0.63	55	70	55
3"	3.068	3.59	7.50	9.50	17	12	0.63	85	90	80
4"	4.026	4.62	9.00	11.50	19	14	0.79	150	150	120
6"	6.065	6.78	11.00	16.00	23	18	1.18	360	260	245
8"	7.981	8.78	13.50	19.50	28	20	1.57	650	430	400
10"	10.020	10.94	16.00	24.50	30	22	2.00	1100	590	510
12"	12.000	12.97	19.00	27.50	34	24	2.50	1500	860	760

• Larger sizes available, consult factory


Flanged and Butt Weld End - ANSI 300

Size	d	d1	C	L	H	D	LIFT	Cv	Wt (lbs) FL	Wt (lbs) BW
2½"	2.469	2.96	7.50	11.50	17	10	0.63	55	105	85
3"	3.068	3.59	8.25	12.50	18	12	0.63	85	120	90
4"	4.026	4.62	10.00	14.00	21	16	0.79	150	180	140
6"	6.065	6.78	12.50	17.50	24	18	1.18	360	340	270
8"	7.981	8.78	15.00	22.00	31	20	1.57	650	570	450
10"	10.020	10.94	17.50	24.50	39	24	2.00	1100	1200	1070
12"	12.000	12.97	20.50	28.00	47	27	2.50	1500	1700	1470

• Larger sizes available, consult factory

• Consult the factory for ANSI 600

Warning & Safety

 Dixon Eagle valves are designed to work safely for their intended use. Failure to know and understand the intended use or to consider the size, temperature, application, media, pressure and manufacturers recommendations when selecting the proper valve assembly components can result in accidents and injuries, including death and serious and permanent injuries. Dixon® recommends that all valve assemblies be tested in accordance with ASME and API recommendations and be inspected regularly to ensure that their use remains appropriate and that they are not damaged.

At no charge, Dixon® is available to consult, train, and recommend the proper selection and application of all valves we sell. We strongly recommend that distributors and end users make use of Dixon's Testing and Recommendation Services. Contact Dixon® to learn more.

Dixon Eagle

ph 713.678.4291 • fx 877.693.4966

eaglesales@dixonvalve.com

dixonvalve.com

connect with us on



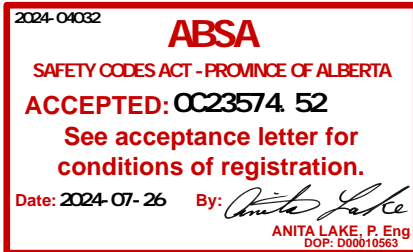


The Right Connection®

Cast Steel Gate Valves

2½" - 24"

*Gate Valves ANSI/API Class 150-600: our **bellows technology** keeps corrosive or harmful atmospheric conditions from entering the process.*



This stamp and signature have been affixed electronically to this registered design as required by Section 20(1) of the Pressure Equipment Safety Regulation, in accordance with the Electronic Transactions Act

Expiry: 2031-11-02



interior cut-away

Applications:

- Use in applications where leakage into or out of the valve is unacceptable such as heat transfer oil, toxic fluids, steam, and regulated media.

Features:

- Inconel™ bellows provide longer life and maximum corrosion resistance
- Zero stem leakage eliminates media loss and satisfies environmental regulations
- Zero maintenance results in lower operating costs; no downtime
- Reduce monitoring costs
- Three stem seals for safety: metallic bellows, graphite packing, backseat in open position
- Hardfaced Stellite® six seating surface provides long life
- Additional alloys, trims, and other end configurations available
- Class 150 - Class 600 available
- Consult factory for stainless steel products in larger valves

Specifications:

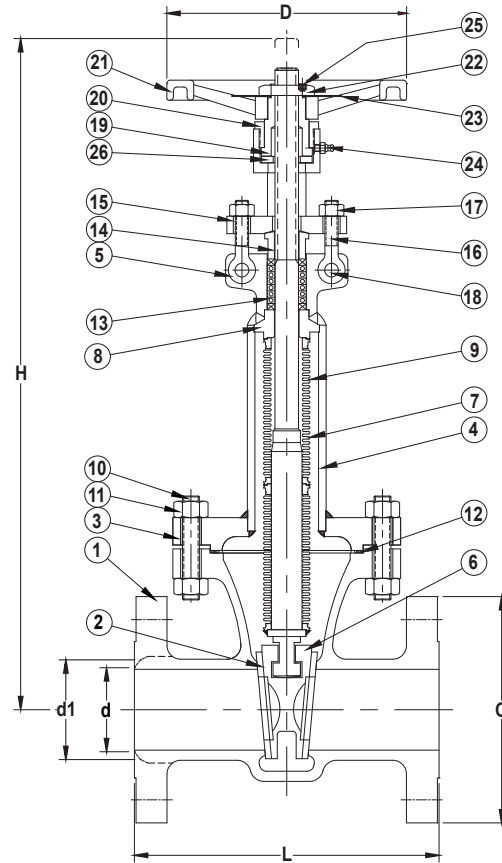
- Valve tested to ASME B16.34 / API 598
- Meets MSS SP-117
- 5 year bellows warranty

Materials

No.	Description	Carbon Steel (C22)
1	body	A216 WCB
2	seat ring	A105 ¹
3	bonnet	A216 WCB
4	extension	1025
5	yoke	A216 WCB
6	gate	A216 WCB ¹
7	bellows assy.	Inconel™ 625 ²
8	bonnet bushing	type 316 stainless
9	stem	type 410 stainless
10	joint bolt	A193 B7
11	hex nut	A194 2H
12	gasket	graphite / 316 stainless
13	gland packing	graphite
14	gland bushing	type 410 stainless
15	gland plate	A216 WCB
16	gland bolt	A193 B7
17	hex nut	A194 2H
18	pin	carbon steel
19	sleeve	ductile iron
20	yoke cap	carbon steel
21	handwheel	malleable iron
22	handle nut	carbon steel
23	name plate	aluminum
24	grease fitting	carbon steel
25	set screw	alloy steel
26	thrust collar	copper alloy

¹ Stellite™ overlay on seating area. Stellite™ is a registered trademark of Thermadyne.

² Inconel™ is a trademark of Huntington Alloys, Inc.



Operating Characteristics and Dimensions

Flanged End - ANSI 150

Size	C	L	H	D	Wt (lbs)
3"	7.50	8.00	29	10	75
4"	9.00	9.00	36	12	130
6"	11.00	10.50	53	16	210
8"	13.50	11.50	61	18	370
10"	16.00	13.00	71	18	500
12"	19.00	14.00	82	18	710

• Larger sizes available, consult factory

Butt Weld End - ANSI 150

Size	d	d1	L	H	D	LIFT	Cv	Wt (lbs)
3"	3.068	3.59	11.12	29	10	3.48	710	113
4"	4.026	4.62	12.00	36	12	4.45	1300	135
6"	6.065	6.78	15.88	53	16	6.45	3110	345
8"	7.981	8.78	16.50	61	18	8.50	5700	500
10"	10.020	10.94	18.00	72	20	10.40	8900	690
12"	12.000	12.97	19.75	85	20	12.50	13300	920

Flanged and Butt Weld End - ANSI 300

Size	d	d1	C	L	H	D	LIFT	Cv	Wt (lbs) FL	Wt (lbs) BW
3"	3.068	3.59	8.25	11.12	29	10	3.48	710	136	113
4"	4.026	4.62	10.00	12.00	36	12	4.45	1300	179	135
6"	6.065	6.78	12.50	15.88	53	16	6.45	3110	420	345
8"	7.981	8.78	15.00	16.50	61	18	8.50	5700	600	500
10"	10.020	10.94	17.50	18.00	72	20	10.40	8900	820	690
12"	12.000	12.97	20.50	19.75	85	20	12.50	13300	1150	920

• Larger sizes available, consult factory

• Consult the factory for ANSI 600

Warning & Safety

! Dixon Eagle valves are designed to work safely for their intended use. Failure to know and understand the intended use or to consider the size, temperature, application, media, pressure and manufacturers recommendations when selecting the proper valve assembly components can result in accidents and injuries, including death and serious and permanent injuries. Dixon® recommends that all valve assemblies be tested in accordance with ASME and API recommendations and be inspected regularly to ensure that their use remains appropriate and that they are not damaged.

At no charge, Dixon® is available to consult, train, and recommend the proper selection and application of all valves we sell. We strongly recommend that distributors and end users make use of Dixon's Testing and Recommendation Services. Contact Dixon® to learn more.

Dixon Eagle

ph 713.678.4291 • fx 713.678.8105

eaglesales@dixonvalve.com

dixonvalve.com

connect with us on



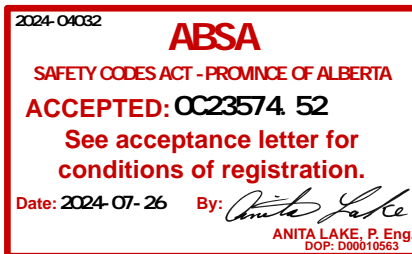


The Right Connection®

Forged Steel Gate Valves

1/2" - 2" Bolted Bonnet

Gate Valves ANSI/API Class 150-800: our *bellows technology* keeps corrosive or harmful atmospheric conditions from entering the process.



This stamp and signature have been affixed electronically to this registered design as required by Section 20(1) of the Pressure Equipment Safety Regulation, in accordance with the Electronic Transactions Act

Expiry: 2031-11-02



interior cut-away

Applications:

- Use in applications where leakage into or out of the valve is unacceptable such as heat transfer oil, toxic fluids, steam, and regulated media.

Features:

- Inconel™ bellows provide longer life and maximum corrosion resistance
- Very compact, lower piping costs
- Zero stem leakage eliminates media loss and satisfies environmental regulations
- Zero maintenance results in lower operating costs; no downtime
- Reduce monitoring costs
- Three stem seals for safety: metallic bellows, graphite packing, backseat in open position
- Hardfaced Stellite® six seating surface provides long life
- Additional alloys, trims, and other end configurations available

Specifications:

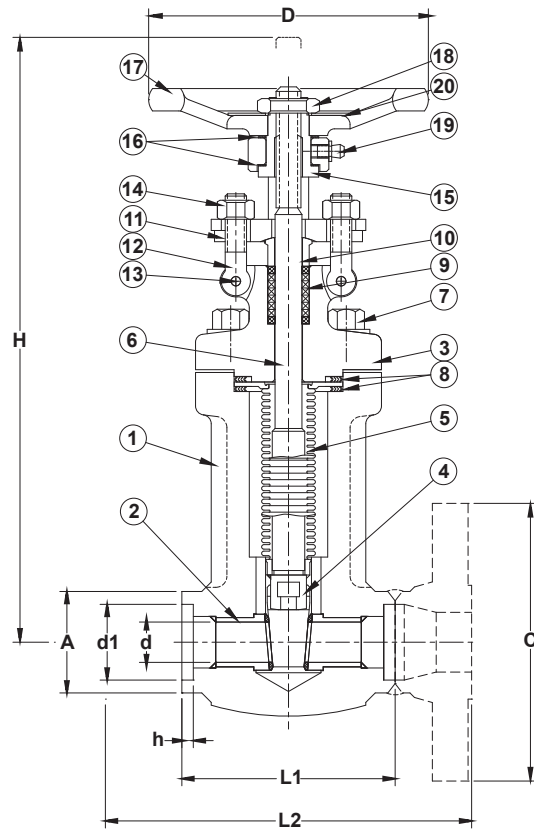
- Valve tested to ASME B16.34 / API 598
- Meets MSS SP-117
- 5 year bellows warranty

Materials

No.	Description	Carbon Steel (C22)	316L Steel (S44)
1	body	A105	A182 F316L
2	seat ring	type 316 stainless ¹	type 316 stainless ¹
3	bonnet	A105	A182 F316L
4	gate	type 420 stainless	type 316 stainless ¹
5	bellows assy.	Inconel™ 625 ²	Inconel™ 625 ²
6	stem	type 410 stainless	type 316 stainless
7	joint bolt	A193 B7	A193 B8
8	gasket	graphite / 316 SS	graphite / 316 SS
9	gland packing	graphite	graphite
10	gland bushing	type 410 stainless	type 304 stainless
11	gland plate	carbon steel	type 316 stainless
12	gland bolt	type 410 stainless	type 304 stainless
13	pin	type 410 stainless	type 304 stainless
14	hex nut	carbon steel	type 304 stainless
15	yoke sleeve	type 410 stainless	copper alloy
16	thrust collar	type 410 stainless	type 410 stainless
17	handwheel	malleable iron	malleable iron
18	handle nut	carbon steel	type 304 stainless
19	grease fitting	copper alloy	copper alloy
20	name plate	aluminum	aluminum

¹ Stellite™ overlay on seating area. Stellite™ is a registered trademark of Thermadyne.

² Inconel™ is a trademark of Huntington Alloys, Inc.



Operating Characteristics and Dimensions Socket Weld / Threaded Gate Valves

Size	d	A	d1	h	L1	H	D	LIFT	Wt (lbs)	Cv
½"	0.39	1.34	0.855	0.39	3.11	9.3	3.94	0.51	7	7.1
¾"	0.54	1.57	1.065	0.51	3.62	10.1	3.94	0.67	8	15.0
1"	0.71	1.93	1.330	0.51	4.37	12.2	4.92	0.87	14	25.0
1½"	1.14	2.56	1.915	0.51	4.72	16.0	6.30	1.34	25	75.0
2"	1.45	3.07	2.406	0.63	5.51	18.6	7.09	1.69	40	120.0

• Larger sizes available, consult factory

Flanged Gate Valves

Size	150			300			600		
	L2	C	Wt (lbs)	L2	C	Wt (lbs)	L2	C	Wt (lbs)
½"	4.25	3.50	10	5.50	3.75	12	6.50	3.75	13
¾"	4.62	3.88	12	6.00	4.62	16	7.50	4.62	17
1"	5.00	4.25	18	6.50	4.88	22	8.50	4.88	24
1½"	6.50	5.00	31	7.50	6.12	39	9.50	6.12	41
2"	7.00	6.00	50	8.50	6.50	58	11.50	6.50	61

• Larger sizes available, consult factory

• Consult the factory for ANSI 600

Warning & Safety

! Dixon Eagle valves are designed to work safely for their intended use. Failure to know and understand the intended use or to consider the size, temperature, application, media, pressure and manufacturers recommendations when selecting the proper valve assembly components can result in accidents and injuries, including death and serious and permanent injuries. Dixon® recommends that all valve assemblies be tested in accordance with ASME and API recommendations and be inspected regularly to ensure that their use remains appropriate and that they are not damaged.

At no charge, Dixon® is available to consult, train, and recommend the proper selection and application of all valves we sell. We strongly recommend that distributors and end users make use of Dixon's Testing and Recommendation Services. Contact Dixon® to learn more.

Dixon Eagle

ph 713.678.4291 • fx 713.678.8105

eaglesales@dixonvalve.com

dixonvalve.com

connect with us on



The 1/2"-2" use 800 Class Valve for the Flanged 150 Class Through 600 Class, Reference Cut Sheets
 The 1/2"-2" Class Will be De-Rated to the Flange Class when Flanges are Added to the 800 Class Body

THIS IS PART OF CRN

OC23574.5

Technical Standards and Safety Authority
 and Pressure Vessels Safety Program

SW= Socket Weld, BW= Butt weld, THR = Threaded, # = Class

Valve Type/ Description	Design Standard/Code	Valve Series	Class Rating	Size	Minimum Thickness per B16.34	Actual Thickness	ASTM Material Specification	End Connection
Forged Gate Valve Welded Bonnet	ASME B16.34	H8	800	1/2	0.17	0.24	ASTM A105	SW, BW, THR, SW X THR, 150# Flanged, 300# Flanged, 600# Flanged
Forged Gate Valve Welded Bonnet	ASME B16.34	H8	800	3/4	0.19	0.24	ASTM A105	SW, BW, THR, SW X THR, 150# Flanged, 300# Flanged, 600# Flanged
Forged Gate Valve Welded Bonnet	ASME B16.34	H8	800	1	0.23	0.26	ASTM A105	SW, BW, THR, SW X THR, 150# Flanged, 300# Flanged, 600# Flanged
Forged Gate Valve Welded Bonnet	ASME B16.34	H8	800	1-1/2	0.26	0.34	ASTM A105	SW, BW, THR, SW X THR, 150# Flanged, 300# Flanged, 600# Flanged
Forged Gate Valve Welded Bonnet	ASME B16.34	H8	800	2	0.29	0.32	ASTM A105	SW, BW, THR, SW X THR, 150# Flanged, 300# Flanged, 600# Flanged

Valve Type/ Description	Design Standard/Code	Valve Series	Class Rating	Size	Minimum Thickness per B16.34	Actual Thickness	ASTM Material Specification	End Connection
Forged Globe Valve Welded Bonnet	ASME B16.34	F8	800	1/2	0.17	0.24	ASTM A105	SW, BW, THR, SW X THR, 150# Flanged, 300# Flanged, 600# Flanged
Forged Globe Valve Welded Bonnet	ASME B16.34	F8	800	3/4	0.19	0.24	ASTM A105	SW, BW, THR, SW X THR, 150# Flanged, 300# Flanged, 600# Flanged
Forged Globe Valve Welded Bonnet	ASME B16.34	F8	800	1	0.23	0.26	ASTM A105	SW, BW, THR, SW X THR, 150# Flanged, 300# Flanged, 600# Flanged
Forged Globe Valve Welded Bonnet	ASME B16.34	F8	800	1-1/2	0.26	0.34	ASTM A105	SW, BW, THR, SW X THR, 150# Flanged, 300# Flanged, 600# Flanged
Forged Globe Valve Welded Bonnet	ASME B16.34	F8	800	2	0.29	0.32	ASTM A105	SW, BW, THR, SW X THR, 150# Flanged, 300# Flanged, 600# Flanged

Valve Type/ Description	Design Standard/Code	Valve Series	Class Rating	Size	Minimum Thickness per B16.34	Actual Thickness	ASTM Material Specification	End Connection
Forged Gate Valve Welded Bonnet	ASME B16.34	W8	800	1/2	0.17	0.24	ASTM A105 OR ASTM A182 F316L	SW, BW, THR, SW X THR, 150# Flanged, 300# Flanged, 600# Flanged
Forged Gate Valve Welded Bonnet	ASME B16.34	W8	800	3/4	0.19	0.24	ASTM A105 OR ASTM A182 F316L	SW, BW, THR, SW X THR, 150# Flanged, 300# Flanged, 600# Flanged
Forged Gate Valve Welded Bonnet	ASME B16.34	W8	800	1	0.23	0.26	ASTM A105 OR ASTM A182 F316L	SW, BW, THR, SW X THR, 150# Flanged, 300# Flanged, 600# Flanged
Forged Gate Valve Welded Bonnet	ASME B16.34	W8	800	1-1/2	0.26	0.34	ASTM A105 OR ASTM A182 F316L	SW, BW, THR, SW X THR, 150# Flanged, 300# Flanged, 600# Flanged
Forged Gate Valve Welded Bonnet	ASME B16.34	W8	800	2	0.29	0.33	ASTM A105 OR ASTM A182 F316L	SW, BW, THR, SW X THR, 150# Flanged, 300# Flanged, 600# Flanged

Valve Type/ Description	Design Standard/Code	Valve Series	Class Rating	Size	Minimum Thickness per B16.34	Actual Thickness	ASTM Material Specification	End Connection
Forged Globe Valve Welded Bonnet	ASME B16.34	G8	800	1/2	0.17	0.24	ASTM A105 OR ASTM A182 F316L	SW, BW, THR, SW X THR, 150# Flanged, 300# Flanged, 600# Flanged
Forged Globe Valve Welded Bonnet	ASME B16.34	G8	800	3/4	0.19	0.24	ASTM A105 OR ASTM A182 F316L	SW, BW, THR, SW X THR, 150# Flanged, 300# Flanged, 600# Flanged
Forged Globe Valve Welded Bonnet	ASME B16.34	G8	800	1	0.23	0.26	ASTM A105 OR ASTM A182 F316L	SW, BW, THR, SW X THR, 150# Flanged, 300# Flanged, 600# Flanged
Forged Globe Valve Welded Bonnet	ASME B16.34	G8	800	1-1/2	0.26	0.34	ASTM A105 OR ASTM A182 F316L	SW, BW, THR, SW X THR, 150# Flanged, 300# Flanged, 600# Flanged
Forged Globe Valve Welded Bonnet	ASME B16.34	G8	800	2	0.29	0.33	ASTM A105 OR ASTM A182 F316L	SW, BW, THR, SW X THR, 150# Flanged, 300# Flanged, 600# Flanged

Valve Type/ Description	Design Standard/Code	Valve Series	Class Rating	Size	Minimum Thickness per B16.34	Actual Thickness	ASTM Material Specification	End Connection
Y-Pattern Globe Valve Welded Bonnet	ASME B16.34	GA	1500	1/2	0.19	0.43	ASTM A105 OR ASTM A182 F22	SW, THR, SW X THR, 1500# Flanged
Y-Pattern Globe Valve Welded Bonnet	ASME B16.34	GA	1500	3/4	0.24	0.43	ASTM A105 OR ASTM A182 F22	SW, THR, SW X THR, 1500# Flanged
Y-Pattern Globe Valve Welded Bonnet	ASME B16.34	GA	1500	1	0.28	0.43	ASTM A105 OR ASTM A182 F22	SW, THR, SW X THR, 1500# Flanged
Y-Pattern Globe Valve Welded Bonnet	ASME B16.34	GA	1500	1-1/2	0.38	0.55	ASTM A105 OR ASTM A182 F22	SW, THR, SW X THR, 1500# Flanged
Y-Pattern Globe Valve Welded Bonnet	ASME B16.34	GA	1500	2	0.47	0.55	ASTM A105 OR ASTM A182 F22	SW, THR, SW X THR, 1500# Flanged

Valve Type/ Description	Design Standard/Code	Valve Series	Class Rating	Size	Minimum Thickness per B16.34	Actual Thickness	ASTM Material Specification	End Connection
NACE Gate Valve Welded Bonnet	ASME B16.34	H8-NACE	800	1/2	0.17	0.24	ASTM A105	SW, BW, THR, SW X THR, 150# Flanged, 300# Flanged, 600# Flanged
NACE Gate Valve Welded Bonnet	ASME B16.34	H8-NACE	800	3/4	0.19	0.24	ASTM A105	SW, BW, THR, SW X THR, 150# Flanged, 300# Flanged, 600# Flanged
NACE Gate Valve Welded Bonnet	ASME B16.34	H8-NACE	800	1	0.23	0.26	ASTM A105	SW, BW, THR, SW X THR, 150# Flanged, 300# Flanged, 600# Flanged
NACE Gate Valve Welded Bonnet	ASME B16.34	H8-NACE	800	1-1/2	0.26	0.34	ASTM A105	SW, BW, THR, SW X THR, 150# Flanged, 300# Flanged, 600# Flanged
NACE Gate Valve Welded Bonnet	ASME B16.34	H8-NACE	800	2	0.29	0.32	ASTM A105	SW, BW, THR, SW X THR, 150# Flanged, 300# Flanged, 600# Flanged

Valve Type/ Description	Design Standard/Code	Valve Series	Class Rating	Size	Minimum Thickness per B16.34	Actual Thickness	ASTM Material Specification	End Connection
Cast Gate Valve	ASME B16.34	L	150	3	0.24	0.43	ASTM A216 WCB OR ASTM A351 CF8M	Flanged and Butt Weld
Cast Gate Valve	ASME B16.34	L	150	4	0.26	0.47	ASTM A216 WCB OR ASTM A351 CF8M	Flanged and Butt Weld
Cast Gate Valve	ASME B16.34	L	150	6	0.28	0.51	ASTM A216 WCB OR ASTM A351 CF8M	Flanged and Butt Weld
Cast Gate Valve	ASME B16.34	L	150	8	0.32	0.51	ASTM A216 WCB OR ASTM A351 CF8M	Flanged and Butt Weld
Cast Gate Valve	ASME B16.34	L	150	10	0.35	0.54	ASTM A216 WCB OR ASTM A351 CF8M	Flanged and Butt Weld
Cast Gate Valve	ASME B16.34	L	150	12	0.38	0.68	ASTM A216 WCB OR ASTM A351 CF8M	Flanged and Butt Weld

Valve Type/ Description	Design Standard/Code	Valve Series	Class Rating	Size	Minimum Thickness per B16.34	Actual Thickness	ASTM Material Specification	End Connection
Cast Gate Valve	ASME B16.34	L	300	3	0.28	0.47	ASTM A216 WCB OR ASTM A351 CF8M	Flanged and Butt Weld
Cast Gate Valve	ASME B16.34	L	300	4	0.31	0.51	ASTM A216 WCB OR ASTM A351 CF8M	Flanged and Butt Weld
Cast Gate Valve	ASME B16.34	L	300	6	0.37	0.63	ASTM A216 WCB OR ASTM A351 CF8M	Flanged and Butt Weld
Cast Gate Valve	ASME B16.34	L	300	8	0.44	0.69	ASTM A216 WCB OR ASTM A351 CF8M	Flanged and Butt Weld
Cast Gate Valve	ASME B16.34	L	300	10	0.5	0.7	ASTM A216 WCB OR ASTM A351 CF8M	Flanged and Butt Weld
Cast Gate Valve	ASME B16.34	L	300	12	0.57	0.76	ASTM A216 WCB OR ASTM A351 CF8M	Flanged and Butt Weld

Valve Type/ Description	Design Standard/Code	Valve Series	Class Rating	Size	Minimum Thickness per B16.34	Actual Thickness	ASTM Material Specification	End Connection
Cast Globe Valve	ASME B16.34	J	150	3	0.24	0.43	ASTM A216 WCB OR ASTM A351 CF8M	Flanged and Butt Weld
Cast Globe Valve	ASME B16.34	J	150	4	0.26	0.47	ASTM A216 WCB OR ASTM A351 CF8M	Flanged and Butt Weld
Cast Globe Valve	ASME B16.34	J	150	6	0.28	0.51	ASTM A216 WCB OR ASTM A351 CF8M	Flanged and Butt Weld
Cast Globe Valve	ASME B16.34	J	150	8	0.32	0.51	ASTM A216 WCB OR ASTM A351 CF8M	Flanged and Butt Weld
Cast Globe Valve	ASME B16.34	J	150	10	0.35	0.54	ASTM A216 WCB OR ASTM A351 CF8M	Flanged and Butt Weld
Cast Globe Valve	ASME B16.34	J	150	12	0.38	0.68	ASTM A216 WCB OR ASTM A351 CF8M	Flanged and Butt Weld

Valve Type/ Description	Design Standard/Code	Valve Series	Class Rating	Size	Minimum Thickness per B16.34	Actual Thickness	ASTM Material Specification	End Connection
Cast Globe Valve	ASME B16.34	J	300	3	0.28	0.47	ASTM A216 WCB OR ASTM A351 CF8M	Flanged and Butt Weld
Cast Globe Valve	ASME B16.34	J	300	4	0.31	0.51	ASTM A216 WCB OR ASTM A351 CF8M	Flanged and Butt Weld
Cast Globe Valve	ASME B16.34	J	300	6	0.37	0.63	ASTM A216 WCB OR ASTM A351 CF8M	Flanged and Butt Weld
Cast Globe Valve	ASME B16.34	J	300	8	0.44	0.69	ASTM A216 WCB OR ASTM A351 CF8M	Flanged and Butt Weld
Cast Globe Valve	ASME B16.34	J	300	10	0.5	0.7	ASTM A216 WCB OR ASTM A351 CF8M	Flanged and Butt Weld
Cast Globe Valve	ASME B16.34	J	300	12	0.57	0.76	ASTM A216 WCB OR ASTM A351 CF8M	Flanged and Butt Weld

2024-04032
ABSA
 SAFETY CODES ACT - PROVINCE OF ALBERTA
ACCEPTED: OC23574.52
 See acceptance letter for conditions of registration.
 Date: 2024-07-26 By: *[Signature]*
 ANITA LAKE, P. Eng
 2024-0000000
 This stamp and signature have been affixed electronically to this registered design as required by Section 2(3) of the Pressure Equipment Safety Regulation, in accordance with the Electronic Transactions Act