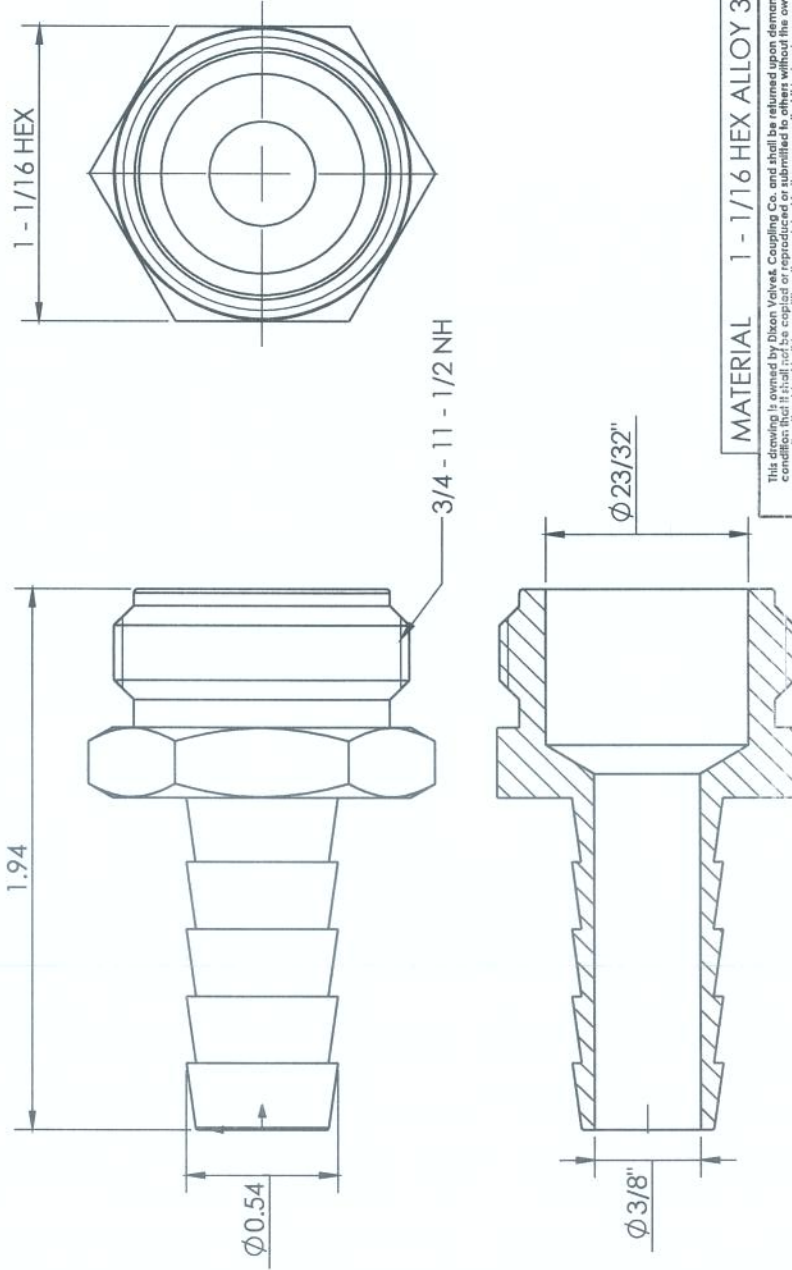


LINE DRAWING NOT FOR PRODUCTION PURPOSES



MATERIAL 1 - 1/16 HEX ALLOY 360 BRASS

This drawing is owned by Dixon Valves Coupling Co. and shall be returned upon demand. It is loaned on condition that it shall not be copied or reproduced or submitted to others without the owners consent. In accepting it, subject to this condition, the recipient further agrees that this drawing or any design detail or concept disclosed herein shall not be used in any way, determined to or in competition with the owner, if the information contained in this drawing is subject to change without notice.

 Dixon Brass Westmont, Illinois USA	DRAWN	DATE
	H. BARRERA	12/13/17
	APPROVED	DATE
	ECCO NO.	
DO NOT SCALE THIS DRAWING		
SIZE	DWG. NO.	REV
A	5900812C	A
TITLE: 1/2 BARB GARDEN HOSE MALE		