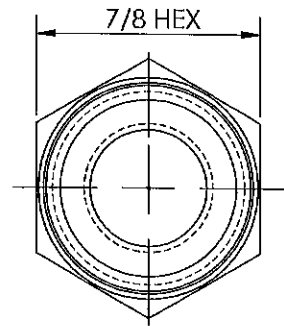
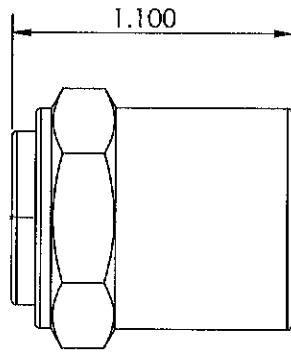
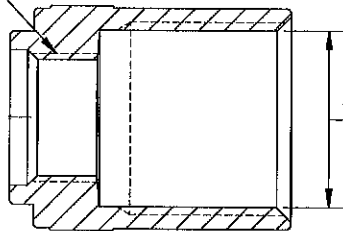


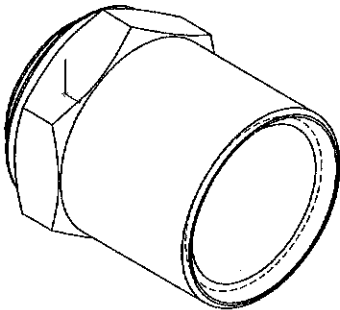
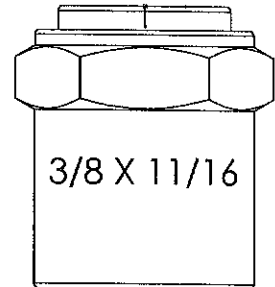
LINE DRAWING NOT FOR PRODUCTION PURPOSES




1/2 -20 UNF-2B
HOSE I.D. 3/8

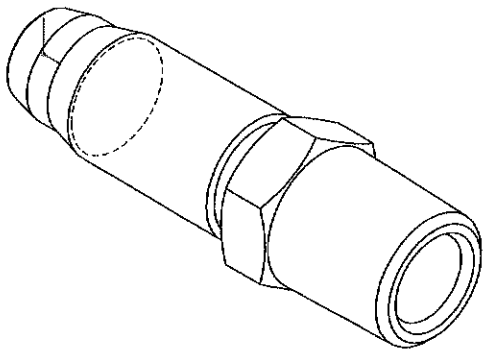
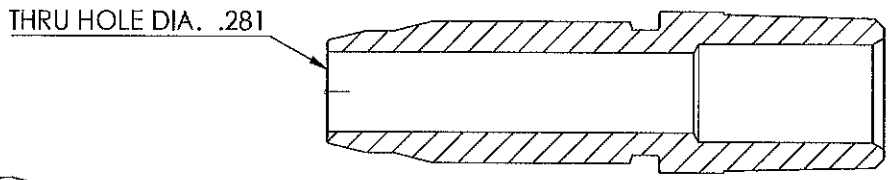
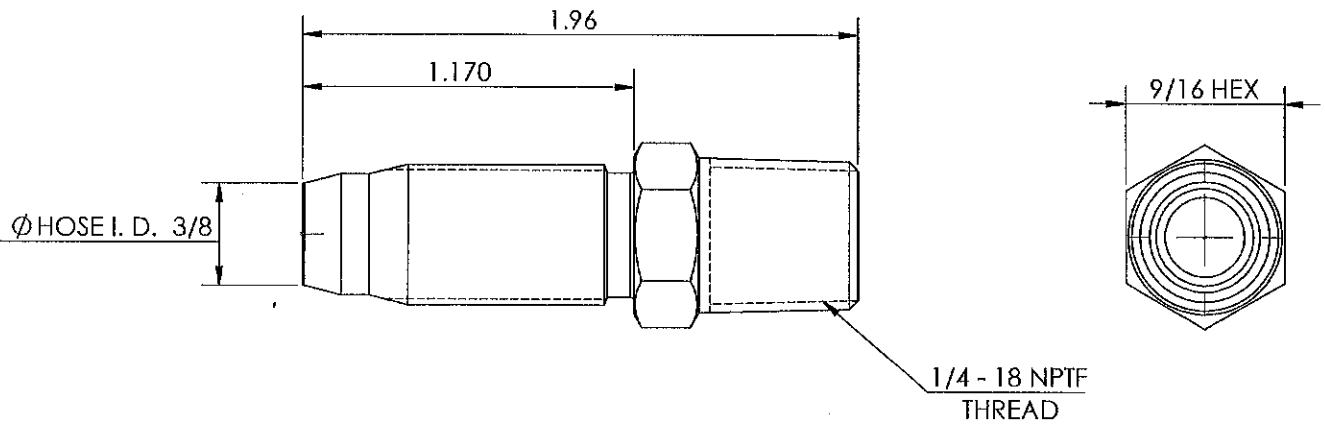



Ø HOSE O.D. 11/16



<small>THIS DRAWING CONTAINS INFORMATION DEEMED PROPRIETARY TO DIXON BRASS AND IS TO BE USED ONLY FOR THE PURPOSE FOR WHICH IT IS SUBMITTED, AND FURTHER, SHALL NOT BE COPIED IN WHOLE OR IN PART WITHOUT EXPRESS WRITTEN PERMISSION FIRST OBTAINED FROM DIXON BRASS.</small>			
<small>UNLESS OTHERWISE SPECIFIED:</small>		<small>DATE</small>	
<small>DIMENSIONS ARE IN INCHES</small>		<small>DRAWN</small>	
<small>TOLERANCES:</small> <small>ANGLES: ±0°30'</small> <small>.X (±.015)</small> <small>.XX (±.010)</small> <small>.XXX (±.005)</small>		<small>P. MONAGHAN</small>	
<small>DIMENSIONS PER ANSI Y14.5</small>		<small>DATE</small>	
		<small>DATE</small>	
Dixon Brass <small>Westmont, Illinois USA</small>		<small>DATE</small>	
<small>TITLE:</small>		<small>ECO NO.</small>	
REUSABLE FERRULE		<small>DRAWING NOT REPRODUCED TO SCALE</small>	
<small>SIZE</small>		<small>DWG. NO.</small>	
A		1800611F	
		<small>REV</small>	
		B	

LINE DRAWING NOT FOR PRODUCTION PURPOSES



THIS DRAWING CONTAINS INFORMATION DEEMED PROPRIETARY TO DIXON BRASS AND IS TO BE USED ONLY FOR THE PURPOSE FOR WHICH IT IS SUBMITTED, AND FURTHER, SHALL NOT BE COPIED IN WHOLE OR IN PART WITHOUT EXPRESS WRITTEN PERMISSION FIRST OBTAINED FROM DIXON BRASS.				
UNLESS OTHERWISE SPECIFIED:			DRAWN: P. MONAGHAN APPROVED: _____ ECO NO.: _____	
DIMENSIONS ARE IN INCHES TOLERANCES: ANGLES: ±0°30' .X (±.015) .XX (±.010) .XXX (±.005) DIMENSIONS PER ANSI Y14.5			DATE: 4/28/15 DATE: _____ DATE: _____	
TITLE: REUSABLE MALE STEM			DRAWING NOT REPRODUCED TO SCALE	
SIZE: A	DWG. NO.: 1820604S	REV: D		