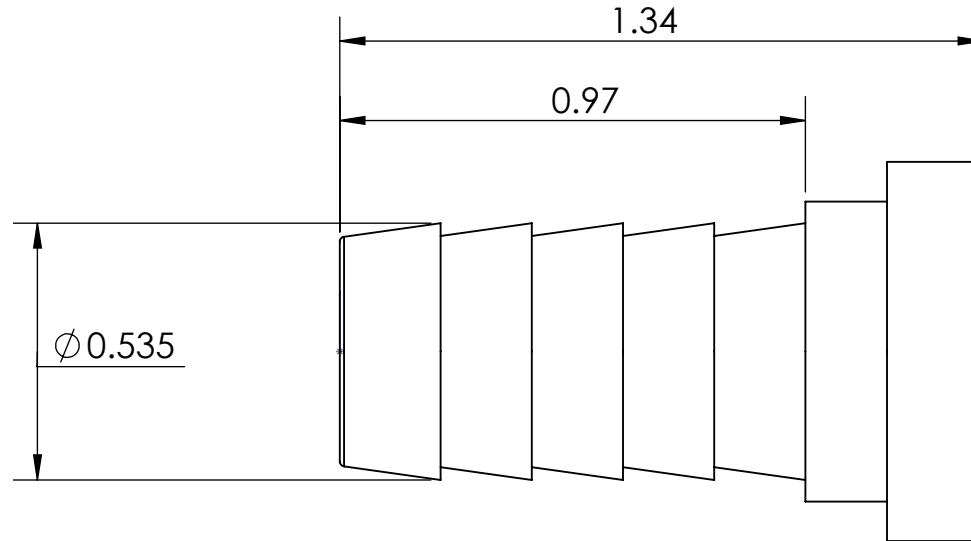
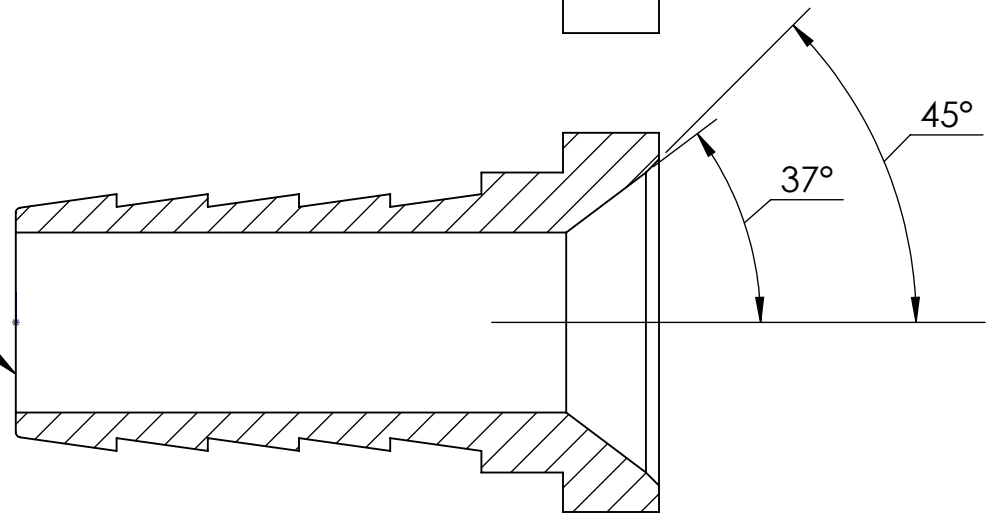
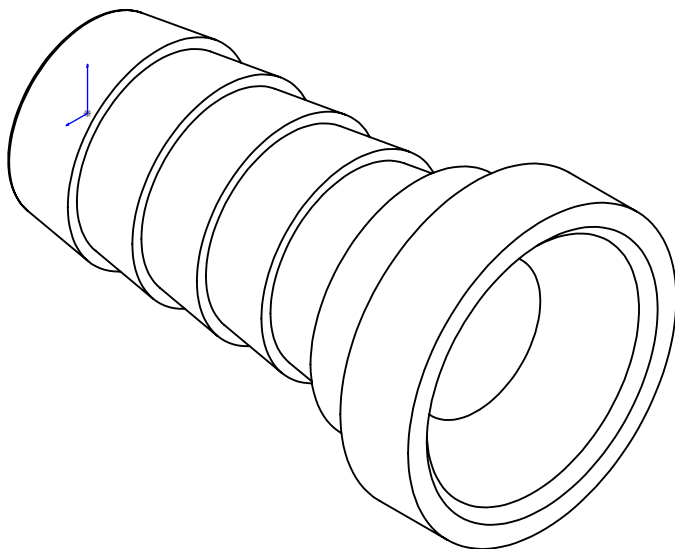



LINE DRAWING NOT FOR PRODUCTION PURPOSES



THRU HOLE DIA. .375



THIS DRAWING CONTAINS INFORMATION DEEMED PROPRIETARY TO DIXON BRASS AND IS SO TO BE USED ONLY FOR THE PURPOSE FOR WHICH IT IS SUBMITTED, AND FURTHER, SHALL NOT BE COPIED IN WHOLE OR IN PART WITHOUT EXPRESS WRITTEN PERMISSION FIRST OBTAINED FROM DIXON BRASS.			
UNLESS OTHERWISE SPECIFIED:		 Dixon Brass Westmont, Illinois USA	DRAWN P. MONAGHAN 3/17/14
DIMENSIONS ARE IN INCHES TOLERANCES: ANGLES: $\pm 0^{\circ}30'$.X ($\pm .015$) .XX ($\pm .010$) .XXX ($\pm .005$) DIMENSIONS PER ANSI Y14.5			APPROVED DATE
			ECO NO. DATE
		TITLE: FEMALE SWIVEL STEM DUAL ANGLE SEAT	DRAWING NOT REPRODUCED TO SCALE DWG. NO. 1430814S REV C
		SIZE A	