

Wilkerson FRLs C03-Series Miniature Combination Units

Features

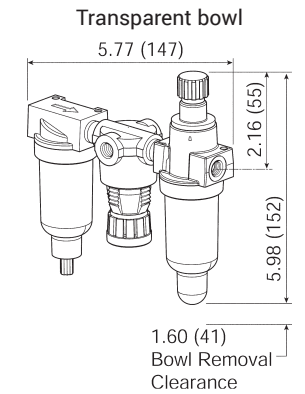
- Included components: (2) adapters
- Filter series F03:
 - 5 micron element
 - .5 oz. bowl
- Regulator series R03:
 - **2-125 PSI** adjusting range
 - Balanced valve design
 - Self-relieving
 - Supplied with a GC620 gauge
 - Can be mounted with knob in up or down position
- Lubricator series L03:
 - 1 oz. bowl
 - Adjustable oil feed
 - Full view sight dome

Specifications

- Maximum operating conditions:
 - transparent bowl: 150 PSIG (10.3 bar) and 32°F to 125°F (0°C to 52°C)
 - metal bowl: 250 PSIG (17.2 bar) and 32°F to 175°F (0°C to 80°C)

Size	Flow (SCFM)	Transparent Bowl and Guard		Metal Bowl	
		Automatic Drain Part #	Manual Drain Part #	Automatic Drain Part #	Manual Drain Part #
1/8"	20	C03-01A	C03-01M	C03-01AMB	C03-01MMB
1/4"	20	C03-02A	C03-02M	C03-02AMB	C03-02MMB

NOTE: SCFM ratings at 100 PSIG inlet pressure.



C08-Series Miniature Combination Units

Features

- Included components: (2) mounting brackets with joiner set
- Filter series F08:
 - 5 micron element
 - .6 oz. bowl
- Regulator series R08:
 - **0-125 PSI** adjusting range
 - Balanced valve design
 - Self-relieving
 - Supplied with a **0-160 PSI** flush mount style gauge
- Lubricator series L08:
 - .6 oz. bowl
 - Adjustable oil feed
 - Full view sight dome

Specifications

- Maximum operating conditions:
 - transparent bowl: 150 PSIG (10.3 bar) and 14°F to 125°F (-10°C to 52°C)
 - metal bowl: 250 PSIG (17.2 bar) and 14°F to 150°F (-10°C to 65.5°C)

Size	Flow (SCFM)	Transparent Bowl and Guard		Metal Bowl	
		Automatic Drain Part #	Manual Drain Part #	Automatic Drain Part #	Manual Drain Part #
1/4"	27	C08-02A	C08-02M	C08-02AMB	C08-02MMB

NOTE: SCFM ratings at 100 PSIG inlet pressure.

FRLs are designed for air service only, unless otherwise indicated.

