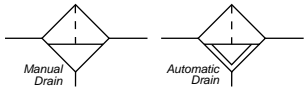
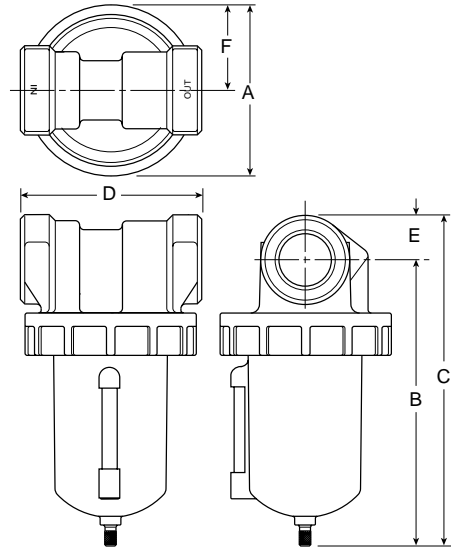


F602 Filters – Hi-Flow



Features

- Excellent water removal efficiency
- For heavy duty applications with minimum pressure drop requirement
- Unique deflector plate that creates swirling of the air stream ensuring maximum water and dirt separation
- Large filter element surface guarantees low pressure drop and increased element life
- 40 micron filter element standard, 5 micron available
- Metal bowl with sight gauge standard
- Twist drain as standard, optional auto drain
- Large bowl capacity
- Optional high capacity bowl(s) available
- High flow: 1-1/4" – 390 SCFM[§]
 1-1/2" – 450 SCFM[§]



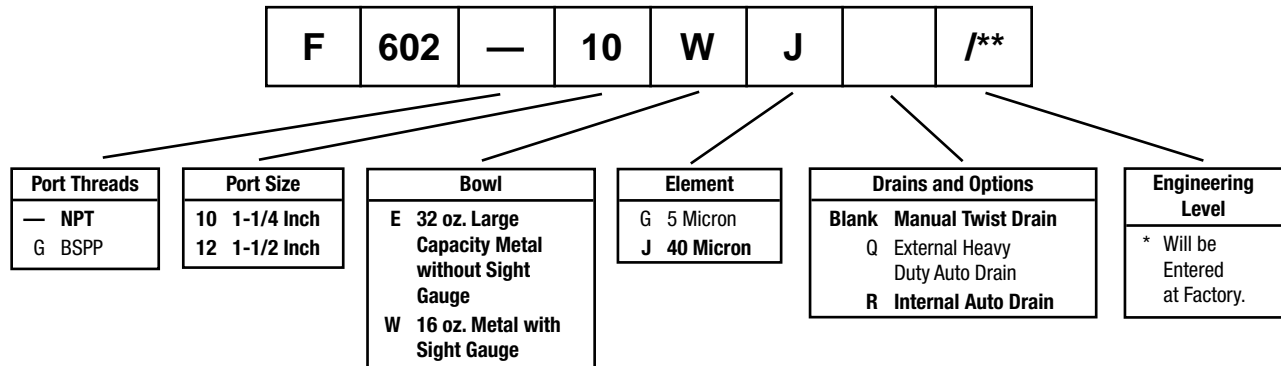
Port Size	NPT	
	Twist Drain	Automatic Pulse Drain
Metal Bowl / Sight Gauge - 16 oz.		
1-1/4"	F602-10WJ	F602-10WJR
1-1/2"	F602-12WJ	F602-12WJR
Metal Bowl without Sight Gauge - 32 oz.		
1-1/4"	F602-10EJ	F602-10EJR
1-1/2"	F602-12EJ	F602-12EJR

F602 Filter Dimensions					
A	B	C	D	E	F
F602-10W, F602-12W					
4.90 (124)	8.18 (208)	9.46 (240)	5.19 (132)	1.28 (32.4)	2.45 (62.2)
F602-10E, F602-12E					
4.90 (124)	11.41 (290)	12.69 (322)	5.19 (132)	1.28 (32.4)	2.45 (62.2)

inches (mm)

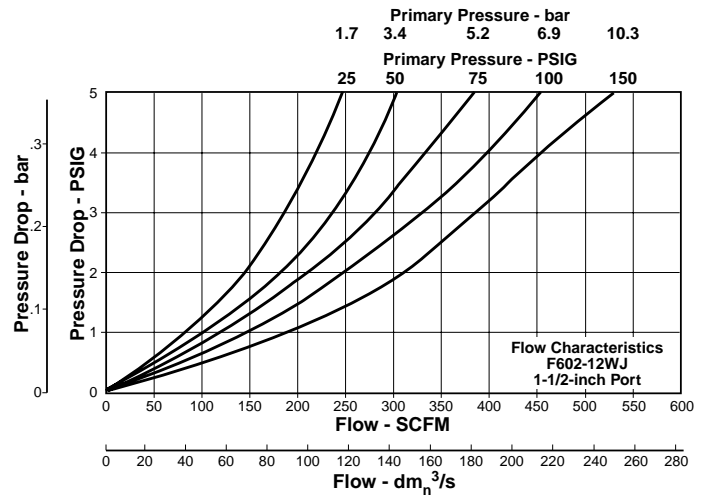
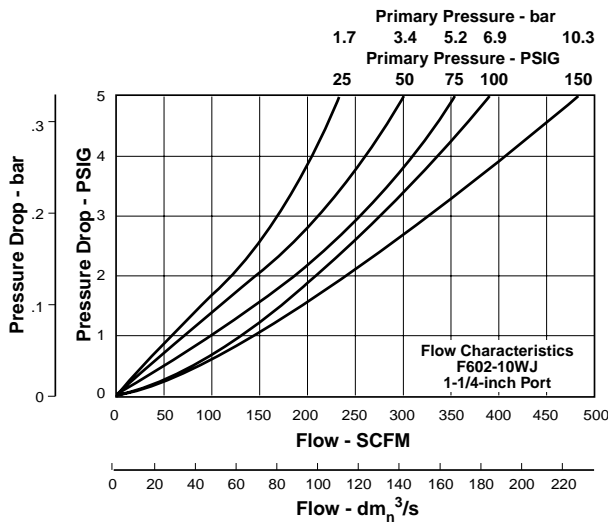
Standard part numbers shown bold.
 For other models refer to ordering information below.
[§] SCFM = Standard cubic feet per minute at 90 PSIG inlet and 5 PSIG pressure drop.

Ordering Information



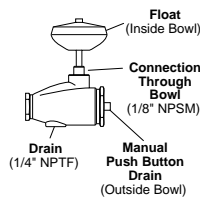
BOLD ITEMS ARE MOST POPULAR.

Technical Information



**“Q” Option External Heavy Duty Auto Drain
 SA602D / SA603D**

For heavy duty applications where the filter is being used to remove large volumes of liquid and/or particulate matter from the airstream, the external automatic drain (“Q” option) should be used.



F602 Filter Kits & Accessories

- Bowl Kits –**
 Aluminum (E) BK603B
 Zinc with Sight Gauge (W) BK605WB

- Drain Kits –**
 External Auto (E)SA603D
 External Auto (W)SA602D
 Internal Auto (All) SA602MD
 Manual (All) SA600Y7-1
 Semi-Automatic “Overnight” DrainSA602A7
 (Drains automatically under zero pressure)

- Filter Element Kits –**
 40 Micron (All)EK602B
 5 Micron (All)EK602VB

- Repair Kits –**
 Deflector, Baffle Assembly, and Retaining Rod (All) RK602C
 External Auto Drain (All) RK602D
 Internal Auto Drain (All) RK602MD
 Metal Bowl Sight Gauge (W)RKB605WB

Specifications

- Bowl Capacity –**
 Aluminum (E) 32 Ounces
 Zinc (W) 16 Ounces
- Port Threads** 1-1/4, 1-1/2 Inch

() = Bowl Type

Pressure & Temperature Ratings –

- Aluminum Bowl (E) 0 to 300 PSIG (0 to 20.4 bar)
 40°F to 150°F (4.4°C to 65.6°C)
- Zinc (W) 0 to 250 PSIG (0 to 17.2 bar)
 40°F to 150°F (4.4°C to 65.6°C)
- With Internal Auto Drain (R) 20 to 175 PSIG (1.4 to 11.9 bar)
 40°F to 125°F (4.4°C to 52°C)
- With External Auto Drain (Q) 30 to 250 PSIG (0 to 17.2 bar)
 40°F to 150°F (4.4°C to 65.6°C)

Weight –

- Aluminum Bowl (E) 7.7 lb. (3.49 kg) / Unit
 31 lb. (14.06 kg) / 4-Unit Master Pack
- Zinc Bowl (W) 7 lb. (3.18 kg) / Unit
 28 lb. (12.70 kg) / 4-Unit Master Pack

Materials of Construction

- Body**Zinc
- Bowls –**
 (E) Aluminum without Sight Gauge
 (W) Zinc with Sight Gauge
- Drain –**
 Manual Twist & OvernightBrass
 Housing “R”Acetal
 Housing “Q” Bronze
- Filter Elements –**
 40 Micron (Standard) Polypropylene
 5 Micron (Optional) Polypropylene
- Seals**Nitrile
- Sight Gauge**Nylon