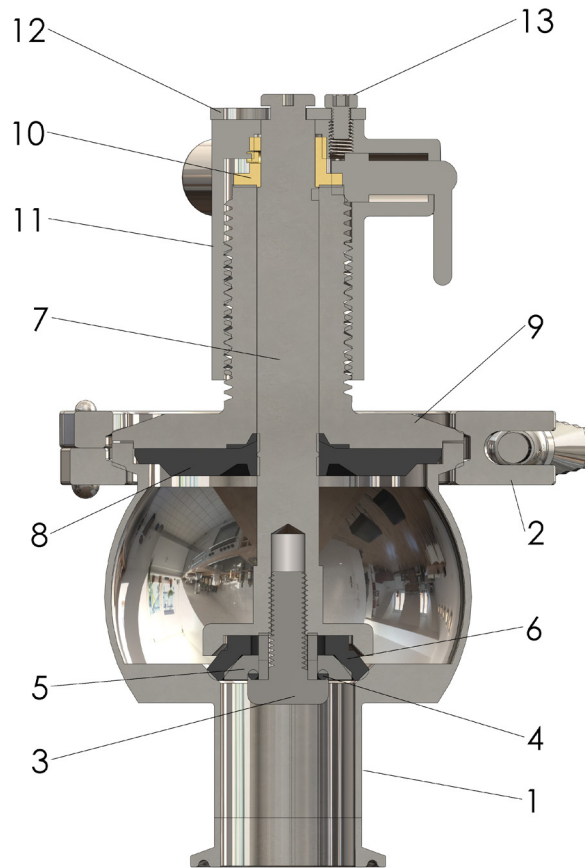




# Dixon Sanitary SV-Series Single Seat Hygienic Valves

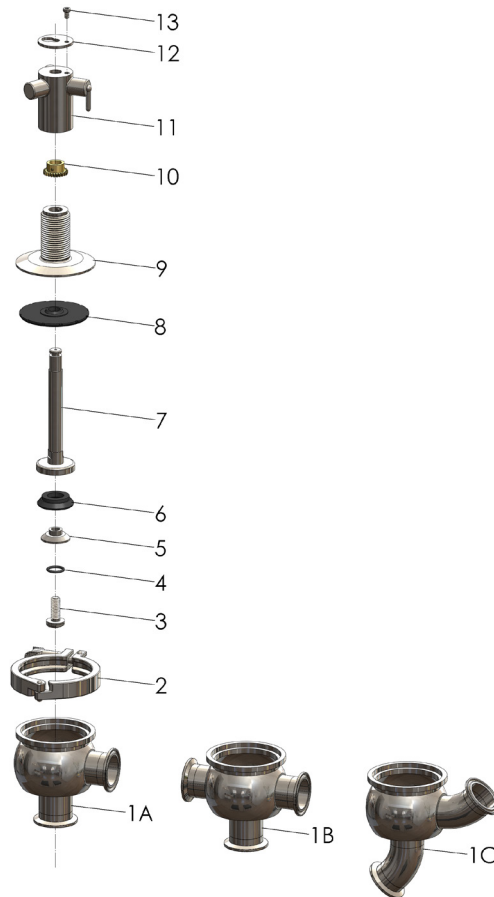
## SV-Series 1.5" - 4" Single Body Valve - Manual



### Bill of Materials

Item No.	Qty	Description	Part #			
			1.5"	2"	2.5"	3"
1A	1	Lower Body "L"	SV-LBLC150	SV-LBLC200	SV-LBLC250	SV-LBLC300
1B	1	Lower Body "T"	SV-LBTC150	SV-LBTC200	SV-LBTC250	SV-LBTC300
1C	1	Lower Body "Y"	SV-LBYC150	SV-LBYC200	SV-LBYC250	SV-LBYC300
2	1	Lip Seal	SV-LSE150200		SV-LSE250300	
3	1	Clamp	13MHHM300SN		13MHHM400SN	
4	1	Seat Bolt	SV-SBS150300			
5	1	Seat Bolt O-Ring	SV-OEB150300			
6	1	Seat Washer	SV-SW150	SV-SW200	SV-SW250	SV-SW300
7	1	Seat Seal	SV-KE150	SV-KE200	SV-KE250	SV-KE300
8	1	Short Manual Stem	SV-SSMR150	SV-SSMR200	SV-SSMR250	SV-SSMR300
9	1	Rotating Stem	SV-SR150200		SV-SR250300	
10	1	Fixed Gear	SV-HFG150400			
11	1	Handle	SV-H150200		SV-H250300	
12	1	Round Clip	SV-HRC150300			
13	1	Sink Bolt	SV-HM5X6			

## SV-Series 1.5" - 4" Single Body Valve - Manual



### Bill of Materials

Item No.	Qty	Description	Part #				
			1.5"	2"	2.5"	3"	4'
1A	1	Lower Body "L"	SV-LBLC150	SV-LBLC200	SV-LBLC250	SV-LBLC300	SV-LBLC400
1B	1	Lower Body "T"	SV-LBTC150	SV-LBTC200	SV-LBTC250	SV-LBTC300	SV-LBTC400
1C	1	Lower Body "Y"	SV-LBYC150	SV-LBYC200	SV-LBYC250	SV-LBYC300	SV-LBYC400
2	1	Lip Seal FKM	SV-LSV150200		SV-LSV250300		
2	1	Lip Seal EPDM	SV-LSE150200		SV-LSE250300		
2	1	Lip Seal Buna	SV-LSB150200		SV-LSB250300		
3	1	Clamp	13MHHM300SN		13MHHM400SN		
4	1	Seat Bolt	SV-SBS				
5	1	Seat Bolt O-ring	SV-OEB150300				
6	1	Seat Washer	SV-SW150	SV-SW200	SV-SW250	SV-SW300	SV-SW400
7	1	Seat Seal EPDM	SV-KE150	SV-KE200	SV-KE250	SV-KE300	SV-KE400
7	1	Seat Seal FKM	SV-KV150	SV-KV200	SV-KV250	SV-KV300	SV-KV400
7	1	Seat Seal Buna	SV-KB150	SV-KB200	SV-KB250	SV-KB300	N/A
7	1	Seat Seal PTFE	SV-KP150	SV-KP200	SV-KP250	SV-KP300	SV-KP400
8	1	Short Manual Stem	SV-SSMR150	SV-SSMR200	SV-SSMR250	SV-SSMR300	SV-SSMR400
9	1	Rotating Stem	SV-SR150200		SV-SR250300		
10	1	Fixed Gear	SV-HFG150400				
11	1	Handle	SV-H150200		SV-H250300		
12	1	Round Clip	SV-HRC150300				
13	1	Sink Bolt	SV-HM5X6				

## Dixon Sanitary

N25 W23040 Paul Road • Pewaukee, WI 53072  
 ph: 800.789.1718 • 262.513.6900 • fx: 800.789.4046 • 262.513.4904  
[dixonvalve.com](http://dixonvalve.com)